

# HP

## Revolving Warning Light

Halogen 



### Large Revolving Warning Light with a solid design.

FEATURES

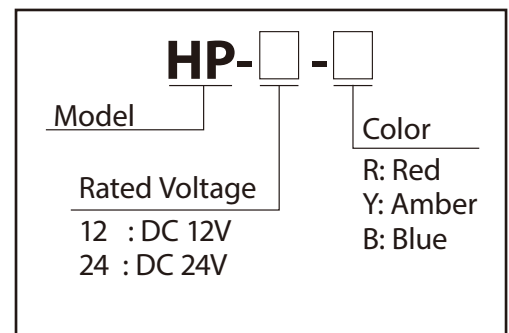
- Dome is made from superior weather-resistant and light-translucent acrylic resin.
- Main body is made of impact and heat resistant ABS resin.
- Available Voltages are DC 12V and DC 24V.
- Available Colors are Red, Amber, and Blue.
- Utilizes a Halogen Bulb (Sold Separately).

### Specifications

Model	Rated Voltage	Halogen Bulb	Flash Rate (fpm)	Mass
		Bulb sold separately		
⊙ HP-12	12V/24 DC	0.5A	160	1.0kg
⊙ HP-24				

⊙ Available by Special Order

### How to Order



### Dimensions (Unit: mm)

