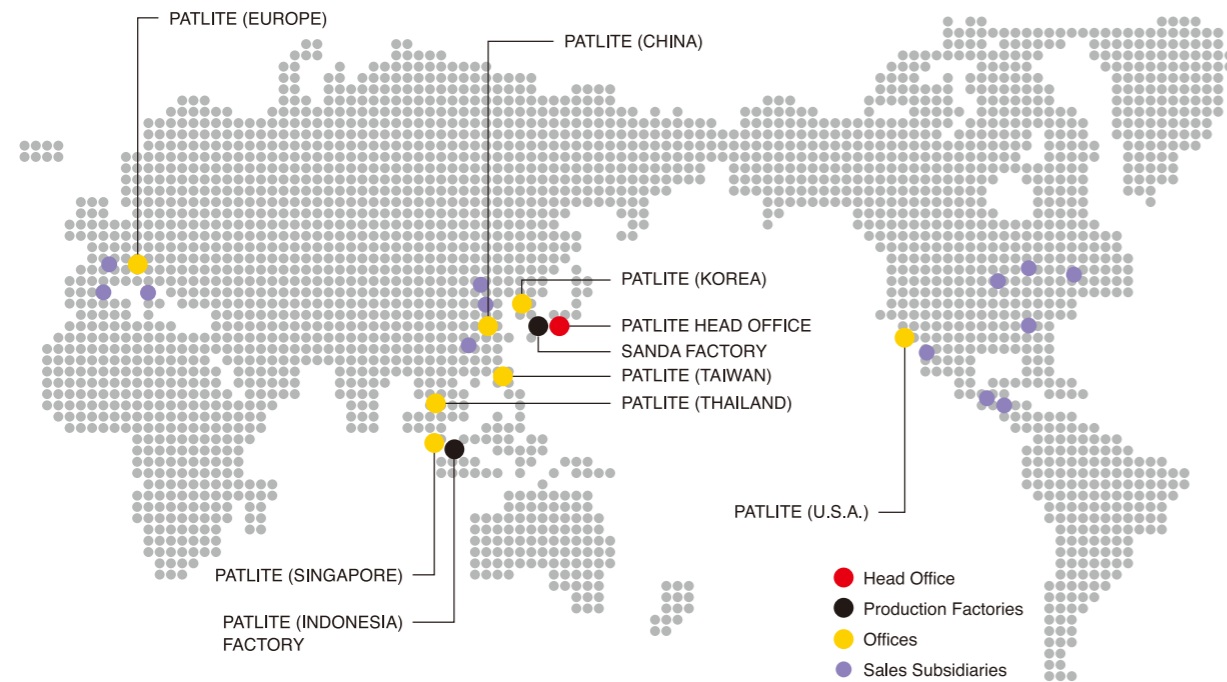


As a global company, we offer our products and support worldwide.

The LR Series conforms to international standards. The PATLITE group has built a global sales network to effectively provide goods and services to customers anywhere.



### PATLITE Corporation

4-1-3, Kyutaromachi, Chuo-ku, Osaka 541-0056 Japan  
 TEL. +81-6-7711-8953 FAX. +81-6-7711-8961 E-mail: overseas@patlite.co.jp

### PATLITE (U.S.A.) Corporation

20130 S. Western Ave. Torrance, CA 90501, U.S.A.  
 TEL. +1-310-328-3222 FAX. +1-310-328-2676 E-mail: sales@patlite.com

### PATLITE (SINGAPORE) PTE LTD

No.2 Leng Kee Road, #05-01 Thye Hong Centre, Singapore 159086  
 TEL. +65-6226-1111 FAX. +65-6324-1411 E-mail: sales@patlite.com.sg

### PATLITE (CHINA) Corporation

Room 1102-1103, No.55, Lane 777, Guangzhong Road (West), Zhabei District, Shanghai, China 200072  
 TEL. +86-21-6630-8969 FAX. +86-21-6630-8938 E-mail: sales@patlite.cn

### PATLITE Europe GmbH

Am Soeldnermoos 8, D-85399 Hallbergmoos, Germany  
 TEL. +49-811-9981-9770-0 FAX. +49-811-9981-9770-90 E-mail: info@patlite.eu

### PATLITE KOREA CO., LTD.

A2603, Daesung, D-POLIS, 606, Seobusaet-gil, Geumcheon-gu, Seoul, 08504, Korea  
 TEL. +82-2-523-6636 FAX. +82-2-861-9919 E-mail: sales@patlite.co.kr

### PATLITE TAIWAN CO., LTD.

7F. No. 91, Huayin St, Datong District Taipei, Taiwan R.O.C  
 TEL. +886-2-2555-1611 FAX. +886-2-2555-1621 E-mail: info@patlite.tw

### PATLITE (THAILAND) CO., LTD.

Olympia Thai Tower, 15th Floor 444 Ratchadapisek Road Samsenok, Huay Kwang Bangkok 10310, Thailand  
 TEL. +66-2-541-5431 FAX. +66-2-541-5429 E-mail: sales@patlite.co.th

<http://www.patlite.com>

●PATLITE, the PATLITE logo are either registered trademarks or trademarks of PATLITE Corporation in JAPAN and/or other countries.

**CAUTION**

To ensure correct use of these products, read the "Instruction Manual" prior to use. Failure to follow all safeguards can result in fire, electric shock, or other accidents. Specifications are subject to change without notice.

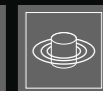
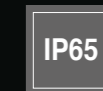


**PATLITE ECO PROJECT**  
 For the benefit of mankind and the earth, Patlite is committed to developing environmentally friendly products.

0-AG10B EN 1808 A

**PATLITE®**  
 New Frontiers in Safety, Security and Comfort.

# Signal Tower LR Series



NEMA Type 4X, 13 360° Buzzer Modular

[www.patlite.com](http://www.patlite.com)



# Signal Tower LR Series Modular LED Signal Tower

- φ40mm LR4
- φ50mm LR5
- φ60mm LR6
- φ70mm LR7



## Modular Components Example

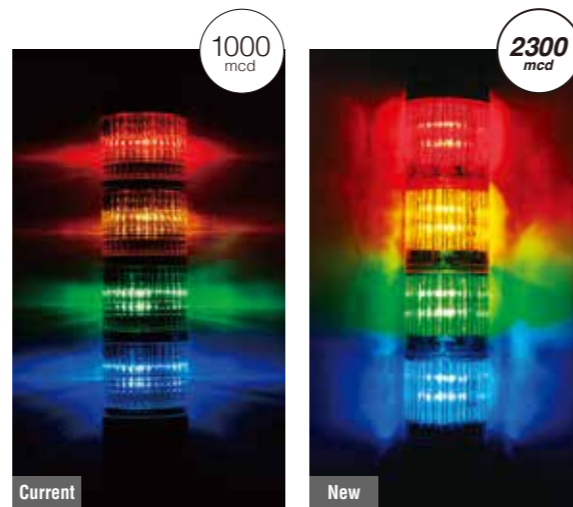


## Optional Parts Example



### A Uniform 360° Light-Emitting Design

The new LED color module features a new, unique interior lens construction that achieves a fuller, more uniform 360° degree light output. Light color is vibrant with more emission area for reliable indication from further distances.



LCE-A Series (φ40) LR4 Series (φ40)

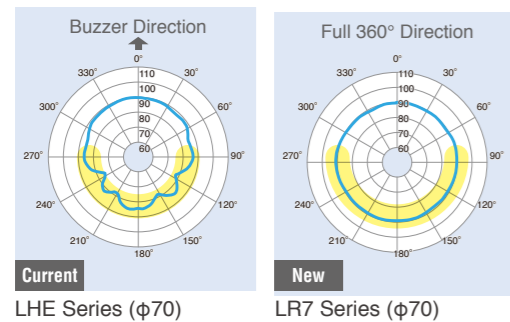
### More than Twice the Light Output\*

The LR Series lens distributes light more efficiently, increasing luminous intensity by more than double that of our current models.

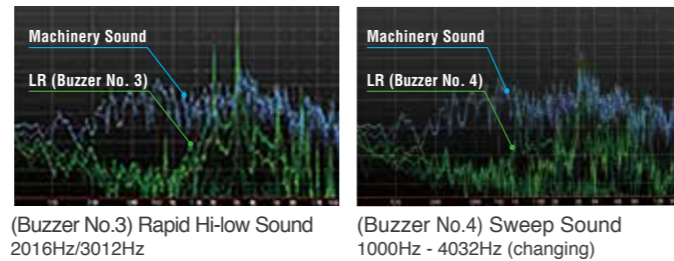
\* Based on the φ40 Red LED Model

### Unique Method of Fully Enclosed Sound Module

Inspired by a drum percussion instrument, the fully enclosed sound module is able to more efficiently vibrate sound waves, producing even 360° omnidirectional sound resonance. Resistance to water and dust is also increased.



Current LHE Series (φ70) New LR7 Series (φ70)



(Buzzer No.3) Rapid Hi-low Sound 2016Hz/3012Hz (Buzzer No.4) Sweep Sound 1000Hz - 4032Hz (changing)

### New Sounds Heard Above the Noise

4 built-in buzzer sounds. Buzzer sounds No. 3 and No. 4 are designed at a higher variable frequency to be heard above the noise of surrounding machinery. Alternatively, a sound reduction function of approx. -10dB is included for use in quieter environments.

- \* Four Buzzer Sounds
- No.1 Rapid Intermittent sound No.2 Continuous sound No.3 Rapid Hi-low No.4 Sweep sound

### Maximum 90dB\* Output

The fully enclosed buzzer module produces more efficient sound, up to 90dB, at 1 meter.

\*LR7 buzzer No.4 (Sweep tone)

### Modular System Design

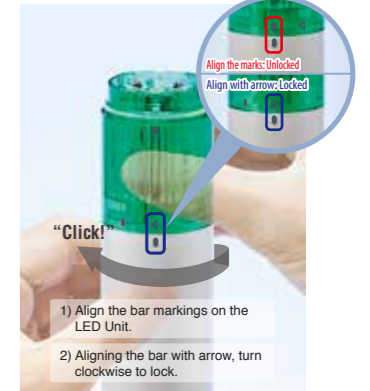
Traditional stack lights typically require additional threaded shafts or tools to reconfigure LED units. The LR modular system design redefines signal tower assembly by making customization and repair seamless.

#### LED/Buzzer Unit Removal



- 1) Hold the LED/Buzzer Unit or Base and turn counter-clockwise to unlock the unit.
- 2) Pull straight up to remove the unit.

#### LED Unit Attachment



- 1) Align the bar markings on the LED Unit.
- 2) Aligning the bar with arrow, turn clockwise to lock.

### Reorganizing Modules is Effortless

The LR modular system makes reconfiguring the color order simple with its twist-and-lock design. Replacing and reconfiguring LED units or adding a buzzer module is easier than ever.

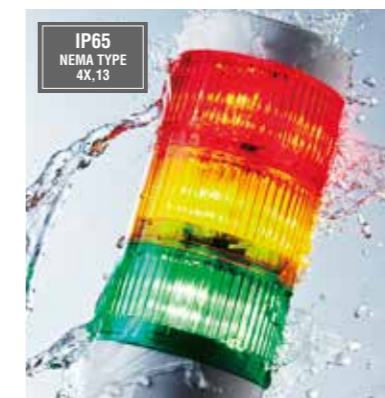


Scan to see this in action



### Smooth Surface

The LR base, LED units and buzzer modules secure together tight and flush, creating a smooth surface, ideal for easy cleaning and water run off.



### Environmental Performance

Features a rugged structure with the following ratings: IP65 / NEMA Type 4x, 13 withstands various environmental conditions, such as water and dust.



### Upgraded Materials

Upgrading from an ABS to Polycarbonate material, and silicon resin O-rings, results in a more lightweight, shock and water resistant product.





# New Lineup

## Clear-globe LED Unit

LR4-E-RZ

- 4 (Φ40) R (Red)
- 5 (Φ50) Y (Amber)
- 6 (Φ60) G (Green)
- B (Blue)



Individual Unit  
Pre-assembled\*  
\*LR4, LR6 Only

LR4 LR5 LR6

Clear globes for R,Y,G,B

## Multi-color LED Unit

LR6-E-MZ

7 colors

LR6

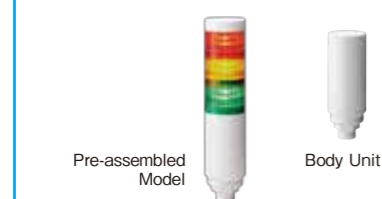
Individual Unit

It displays 7 colors in one unit.  
(Red/Green/Blue/Amber/  
Cyan/Purple/White)

By connecting (red, green, blue) wires, the colors light up.

Wire Color	Red	Red/Green	Blue	Green	Blue/Green	Red/Blue	Red/Green/Blue
LED Color	Red	Amber	Blue	Green	Cyan	Purple	White

## Direct Mount with M12 Connector

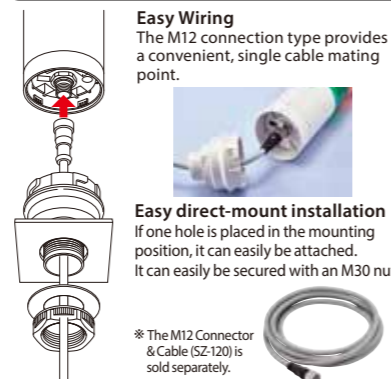


Model	Tiers	Rated Voltage	Mounting/Wiring	Buzzer	Body Color	LED Unit Color
LR 6 - 3	02	WC	N	W	RYG	
LR 6 - 3	02	WC	N	W	RYG	

## Direct Mount Installation

Direct Mount

**Easy Wiring**  
The M12 connection type provides a convenient, single cable mating point.



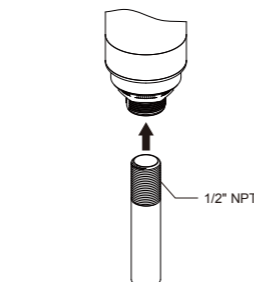
**Easy direct-mount installation**  
If one hole is placed in the mounting position, it can easily be attached. It can easily be secured with an M30 nut.

\*The M12 Connector & Cable (SZ-120) is sold separately.

## Installation Method 2

Pole Mount

**1/2" NPT Support**  
Bracket is designed to fit a 1/2 inch NPT threaded pipe.



## Manual Control Signal Tower

HSST-3M2-RYG



Clear-globe Type

Mounting Image

## Assembly Process

### What is HSST?

It is a kit featuring an LR5 Signal Tower, a switch box, AC/DC adaptor, and mounting hardware. This system can be used for a wide range of applications such as, improving efficiency of production assembly lines and discreet communications in call centers.

### Assembly Line Lighting Display

- Problem Occurred
- Low Material Stock
- Need Assistance

## Customer Support / Call Center



Call Status Display  
Need a Manager  
On Hold  
On Call

Rated Voltage	Size	Operating Specifications	Tiers	Model	Color
100V - 240V AC	φ50	Switch ON/OFF Lighting Control	3	HSST-3M2-RYG	Clear Red/Amber/Green

## Wireless Data Acquisition System

### Transmitters



Signal Tower LR6 Transmitter  
**WDT-6LR-Z2**

Corresponding Model	Current Consumption
LR6 Series	max 55mA
Transmission Distance	20m*



Signal Tower LR5 Transmitter  
**WDT-5LR-Z2**

Corresponding Model	Current Consumption
LR5 Series	max 55mA
Transmission Distance	20m*

### Receiver

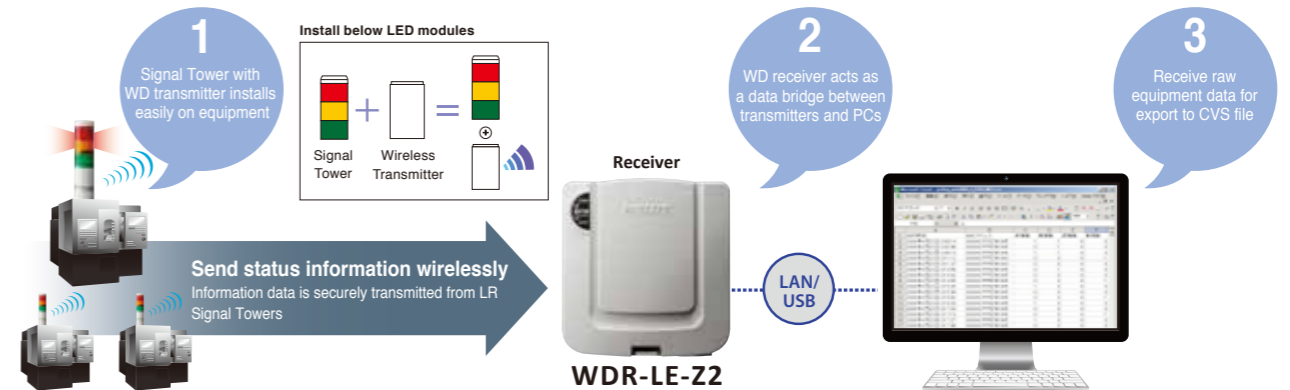


Receiver  
**WDR-LE-Z2**

Number of Transmitter	Connection Type
20 Units*1 MAX 30 Units	LAN/USB
Transmission Distance	Multiple Units*3
typ. 65mA	

- \*1 Radio signal quality will depend on the environment, device location and number of connections.
- \*2 Due to the characteristic of radio waves, the connection distances are reference values.
- \*3 Two or more receiver units can operate simultaneously with LAN connections.  
(Ask your PATLITE Sales Representative for details.)

## Monitor and acquire critical equipment data



## LR5/LR7 Screwless Terminal Knock-out Mount

### Dual mount base unit allows for direct or pole mounting

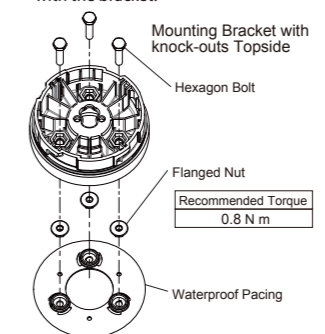


### Screw and nut accessories included.

Accessory			
LR5 - KT	Hexagon Bolt (M3 x 20)	Hexagon Nut with Flange (M3)	3 pcs.
LR7 - KT	Hexagon Bolt (M4 x 20)	Hexagon Nut with Flange (M4)	3 pcs.

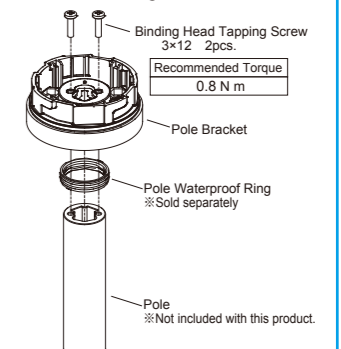
### Installation Method 1

Direct Mount (Using accessories)  
Mount on pole bracket by knocking out holes with the tapping screws included with the bracket.



### Installation Method 2

Pole Mount (Not Using accessories)  
Mount directly by knocking out holes in the bracket and securing with nuts and bolts.



\*Please refer to the Complete Operation Manual for details of installation.



# Signal Tower

## LR Series Pre-assembled Models

**φ40mm Model Code** (Ex.) **LR4-502WJBW-RYGBCZ**

Model ① ② ③ ④ ⑤ ⑥ ⑦

① Tiers ② Rated Voltage ③ Mounting/Wiring ④ Flashing/Buzzer ⑤ Body Color ⑥ LED Module Color ⑦ Globe Type

1 = 1 Tier 02 = 24V DC WJ = Direct Mount/Cable B = With Flashing/Buzzer W = Off-white R = Red Blank = Color Globe  
 2 = 2 Tiers M2 = 100 - 240V AC\*1 LJ = Pole Mount with L-bracket/Cable N = No Flashing/Buzzer U = Silver\*3 Y = Amber  
 3 = 3 Tiers PJ = Pole Mount with Circular Bracket/Cable G = Green  
 4 = 4 Tiers QJ = Pole Mount with Folding Bracket/Cable\*2 B = Blue  
 5 = 5 Tiers C = White

\*1 For WJ, LJ and PJ type only \*2 For 24V DC and Off-white type only \*3 For 24V DC type WJ, LJ and PJ type only

**φ50mm Model Code** (Ex.) **LR5-502WJBW-RYGBCZ**

Model ① ② ③ ④ ⑤ ⑥ ⑦

① Tiers ② Rated Voltage ③ Mounting/Wiring ④ Flashing/Buzzer ⑤ Body Color ⑥ LED Module Color ⑦ Globe Type

1 = 1 Tier 01 = 12V DC WJ = Direct Mount/Cable B = With Flashing/Buzzer W = Off-white R = Red Blank = Color Globe  
 2 = 2 Tiers 02 = 24V DC LJ = Pole Mount with L-bracket/Cable N = No Flashing/Buzzer U = Silver\*3 Y = Amber  
 3 = 3 Tiers PJ = Pole Mount with Circular Bracket/Cable G = Green  
 4 = 4 Tiers QJ = Pole Mount with Folding Bracket/Cable\*2 B = Blue  
 5 = 5 Tiers C = White

**φ60mm Model Code** (Ex.) **LR6-502WJBW-RYGBCZ**

Model ① ② ③ ④ ⑤ ⑥ ⑦

① Tiers ② Rated Voltage ③ Mounting/Wiring ④ Flashing/Buzzer ⑤ Body Color ⑥ LED Module Color ⑦ Globe Type

1 = 1 Tier 02 = 24V DC WJ = Direct Mount/Cable B = With Flashing/Buzzer W = Off-white R = Red Blank = Color Globe  
 2 = 2 Tiers M2 = 100 - 240V AC\*1 LJ = Pole Mount with L-bracket/Cable N = No Flashing/Buzzer U = Silver\*3 Y = Amber  
 3 = 3 Tiers PJ = Pole Mount with Circular Bracket/Cable G = Green  
 4 = 4 Tiers QJ = Pole Mount with Folding Bracket/Cable\*2 B = Blue  
 5 = 5 Tiers WC = Direct Mount/M12 Connector\*2 M = Multi Color

\*1 For WJ, LJ and PJ type only \*2 For 24V DC and Off-white type only \*3 For 24V DC type WJ, LJ and PJ type only

**φ70mm Model Code** (Ex.) **LR7-502WJBW-RYGBC**

Model ① ② ③ ④ ⑤ ⑥

① Tiers ② Rated Voltage ③ Mounting/Wiring ④ Flashing/Buzzer ⑤ Body Color ⑥ LED Module Color

1 = 1 Tier 02 = 24V DC WJ = Direct Mount/Cable B = With Flashing/Buzzer W = Off-white R = Red  
 2 = 2 Tiers N = No Flashing/Buzzer Y = Amber  
 3 = 3 Tiers G = Green  
 4 = 4 Tiers B = Blue  
 5 = 5 Tiers C = White

Mounting Type	Rated Voltage	Size	Flash/Buzzer	Tiers	Model	Power Consumption	Mass
Pole Mount with Folding Bracket	24V DC	φ40	-	1	LR4-102QJNW	1.0W	0.455kg
				2	LR4-202QJNW	2.0W	0.490kg
				3	LR4-302QJNW	3.0W	0.525kg
				4	LR4-402QJNW	4.0W	0.560kg
				5	LR4-502QJNW	5.0W	0.595kg
		φ40	O	1	LR4-102QJBW	2.0W	0.490kg
				2	LR4-202QJBW	3.0W	0.525kg
				3	LR4-302QJBW	4.0W	0.560kg
				4	LR4-402QJBW	5.0W	0.595kg
				5	LR4-502QJBW	6.0W	0.630kg
φ60	-	-	1	LR6-102QJNW	1.0W	0.520kg	
			2	LR6-202QJNW	2.0W	0.580kg	
			3	LR6-302QJNW	3.0W	0.640kg	
			4	LR6-402QJNW	4.0W	0.700kg	
			5	LR6-502QJNW	5.0W	0.760kg	
		φ60	O	1	LR6-102QJBW	2.0W	0.580kg
				2	LR6-202QJBW	3.0W	0.640kg
				3	LR6-302QJBW	4.0W	0.700kg
				4	LR6-402QJBW	5.0W	0.760kg
				5	LR6-502QJBW	6.0W	0.820kg

Mounting Type	Rated Voltage	Size	Flash/Buzzer	Tiers	Model	Power Consumption	Mass		
	12V DC	φ50	-	1	LR5-101WJNW	1.0W	0.240kg		
				2	LR5-201WJNW	2.0W	0.280kg		
				3	LR5-301WJNW	3.0W	0.320kg		
				4	LR5-401WJNW	4.0W	0.360kg		
				5	LR5-501WJNW	5.0W	0.400kg		
				φ50	O	1	LR5-101WJBW	2.1W	0.290kg
						2	LR5-201WJBW	3.1W	0.330kg
						3	LR5-301WJBW	4.1W	0.370kg
						4	LR5-401WJBW	5.1W	0.410kg
						5	LR5-501WJBW	6.1W	0.450kg
	24V DC	φ40	-	1	LR4-102WJNW[U]	1.0W	0.205kg/0.355kg		
				2	LR4-202WJNW[U]	2.0W	0.240kg/0.390kg		
				3	LR4-302WJNW[U]	3.0W	0.275kg		
				3	LR4-302WJNW-[Z] CLEAR	3.0W	0.275kg/0.425kg		
				4	LR4-402WJNW[U]	4.0W	0.310kg/0.460kg		
		φ40	O	1	LR4-102WJBW[U]	2.0W	0.240kg/0.390kg		
				2	LR4-202WJBW[U]	3.0W	0.275kg/0.425kg		
				3	LR4-302WJBW[U]	4.0W	0.310kg/0.460kg		
				3	LR4-302WJBW-[Z] CLEAR	4.0W	0.310kg		
				4	LR4-402WJBW[U]	5.0W	0.345kg/0.495kg		
φ50	-	1	LR5-102WJNW	1.0W	0.240kg				
		2	LR5-202WJNW	2.0W	0.280kg				
		3	LR5-302WJNW	3.0W	0.360kg				
		4	LR5-402WJNW	4.0W	0.360kg				
		5	LR5-502WJNW	5.0W	0.400kg				
φ50	O	1	LR5-102WJBW	2.0W	0.290kg				
		2	LR5-202WJBW	3.0W	0.330kg				
		3	LR5-302WJBW	4.0W	0.370kg				
		4	LR5-402WJBW	5.0W	0.410kg				
		5	LR5-502WJBW	6.0W	0.450kg				
	24V DC	φ60	-	1	LR6-102WJNW[U]	1.0W	0.280kg/0.410kg		
				2	LR6-202WJNW[U]	2.0W	0.340kg/0.470kg		
				3	LR6-302WJNW[U]	3.0W	0.400kg/0.530kg		
				3	LR6-302WJNW-[Z] CLEAR	3.0W	0.400kg		
				4	LR6-402WJNW[U]	4.0W	0.460kg/0.590kg		
		φ60	O	1	LR6-102WJBW[U]	2.0W	0.340kg/0.470kg		
				2	LR6-202WJBW[U]	3.0W	0.400kg/0.530kg		
				3	LR6-302WJBW[U]	4.0W	0.460kg/0.590kg		
				3	LR6-302WJBW-[Z] CLEAR	4.0W	0.460kg		
				4	LR6-402WJBW[U]	5.0W	0.520kg/0.650kg		
φ70	-	1	LR7-102WJNW	1.0W	0.305kg				
		2	LR7-202WJNW	2.0W	0.370kg				
		3	LR7-302WJNW	3.0W	0.435kg				
		4	LR7-402WJNW	4.0W	0.500kg				
		5	LR7-502WJNW	5.0W	0.565kg				
φ70	O	1	LR7-102WJBW	2.0W	0.375kg				
		2	LR7-202WJBW	3.0W	0.440kg				
		3	LR7-302WJBW	4.0W	0.505kg				
		4	LR7-402WJBW	5.0W	0.570kg				
		5	LR7-502WJBW	6.0W	0.635kg				
	100 - 240V AC	φ40	-	1	LR4-1M2WJNW	1.5W	0.285kg		
				2	LR4-2M2WJNW	3.0W	0.320kg		
				3	LR4-3M2WJNW	4.5W	0.355kg		
				4	LR4-4M2WJNW	6.0W	0.390kg		
				5	LR4-5M2WJNW	7.5W	0.425kg		
		φ40	O	1	LR4-1M2WJBW	3.0W	0.320kg		
				2	LR4-2M2WJBW	4.5W	0.355kg		
				3	LR4-3M2WJBW	6.0W	0.390kg		
				4	LR4-4M2WJBW	7.5W	0.425kg		
				5	LR4-5M2WJBW	9.0W	0.460kg		
φ60	-	1	LR6-1M2WJNW	1.5W	0.380kg				
		2	LR6-2M2WJNW	3.0W	0.440kg				
		3	LR6-3M2WJNW	4.5W	0.500kg				
		4	LR6-4M2WJNW	6.0W	0.560kg				
		5	LR6-5M2WJNW	7.5W	0.620kg				
		φ60	O	1	LR6-1M2WJBW	3.0W	0.440kg		
				2	LR6-2M2WJBW	4.5W	0.500kg		
				3	LR6-3M2WJBW	6.0W	0.560kg		
				4	LR6-4M2WJBW	7.5W	0.620kg		
				5	LR6-5M2WJBW	9.0W	0.680kg		



# Signal Tower

## LR Series Pre-assembled Models

Mounting Type	Rated Voltage	Size	Flash/Buzzer	Tiers	Model	Power Consumption	Mass
Pole Mount with Circular Bracket	12V DC	φ50	-	1	LR5-101PJNW	1.0W	0.420kg
				2	LR5-201PJNW	2.0W	0.460kg
				3	LR5-301PJNW	3.0W	0.500kg
				4	LR5-401PJNW	4.0W	0.540kg
				5	LR5-501PJNW	5.0W	0.580kg
			O	1	LR5-101PJBW	2.1W	0.470kg
				2	LR5-201PJBW	3.1W	0.510kg
				3	LR5-301PJBW	4.4W	0.550kg
				4	LR5-401PJBW	5.1W	0.590kg
				5	LR5-501PJBW	6.1W	0.630kg
	24V DC	φ40	-	1	LR4-102PJNW[U]	1.0W	0.395kg/0.545kg
				2	LR4-202PJNW[U]	2.0W	0.430kg/0.580kg
				3	LR4-302PJNW[U]	3.0W	0.465kg/0.615kg
				4	LR4-402PJNW[U]	4.0W	0.500kg/0.650kg
				5	LR4-502PJNW[U]	5.0W	0.535kg/0.685kg
		O	1	LR4-102PJBW[U]	2.0W	0.430kg/0.580kg	
			2	LR4-202PJBW[U]	3.0W	0.465kg/0.615kg	
			3	LR4-302PJBW[U]	4.0W	0.500kg/0.650kg	
			4	LR4-402PJBW[U]	5.0W	0.535kg/0.685kg	
			5	LR4-502PJBW[U]	6.0W	0.570kg/0.720kg	
φ50	-	1	LR5-102PJNW	1.0W	0.420kg		
		2	LR5-202PJNW	2.0W	0.460kg		
		3	LR5-302PJNW	3.0W	0.500kg		
		4	LR5-402PJNW	4.0W	0.540kg		
		5	LR5-502PJNW	5.0W	0.580kg		
O	1	LR5-102PJBW	2.0W	0.470kg			
	2	LR5-202PJBW	3.0W	0.510kg			
	3	LR5-302PJBW	4.0W	0.550kg			
	4	LR5-402PJBW	5.0W	0.590kg			
	5	LR5-502PJBW	6.0W	0.630kg			
φ60	-	1	LR6-102PJNW[U]	1.0W	0.460kg/0.590kg		
		2	LR6-202PJNW[U]	2.0W	0.520kg/0.650kg		
		3	LR6-302PJNW[U]	3.0W	0.580kg/0.710kg		
		4	LR6-402PJNW[U]	4.0W	0.640kg/0.770kg		
		5	LR6-502PJNW[U]	5.0W	0.700kg/0.830kg		
	O	1	LR6-102PJBW[U]	2.0W	0.520kg/0.650kg		
		2	LR6-202PJBW[U]	3.0W	0.580kg/0.710kg		
		3	LR6-302PJBW[U]	4.0W	0.640kg/0.770kg		
		4	LR6-402PJBW[U]	5.0W	0.700kg/0.830kg		
		5	LR6-502PJBW[U]	6.0W	0.760kg/0.890kg		
100 - 240V AC	φ40	-	1	LR4-1M2PJNW	1.5W	0.475kg	
			2	LR4-2M2PJNW	3.0W	0.510kg	
			3	LR4-3M2PJNW	4.5W	0.545kg	
			4	LR4-4M2PJNW	6.0W	0.580kg	
			5	LR4-5M2PJNW	7.5W	0.615kg	
	O	1	LR4-1M2PJBW	3.0W	0.510kg		
		2	LR4-2M2PJBW	4.5W	0.545kg		
		3	LR4-3M2PJBW	6.0W	0.580kg		
		4	LR4-4M2PJBW	7.5W	0.615kg		
		5	LR4-5M2PJBW	9.0W	0.650kg		
	φ60	-	1	LR6-1M2PJNW	1.5W	0.560kg	
			2	LR6-2M2PJNW	3.0W	0.620kg	
			3	LR6-3M2PJNW	4.5W	0.680kg	
			4	LR6-4M2PJNW	6.0W	0.740kg	
			5	LR6-5M2PJNW	7.5W	0.800kg	
O	1	LR6-1M2PJBW	3.0W	0.620kg			
	2	LR6-2M2PJBW	4.5W	0.680kg			
	3	LR6-3M2PJBW	6.0W	0.740kg			
	4	LR6-4M2PJBW	7.5W	0.800kg			
	5	LR6-5M2PJBW	9.0W	0.860kg			

Mounting Type	Rated Voltage	Size	Flash/Buzzer	Tiers	Model	Power Consumption	Mass
Pole Mount with L-bracket	12V DC	φ50	-	1	LR5-101LJNW	1.0W	0.530kg
				2	LR5-201LJNW	2.0W	0.570kg
				3	LR5-301LJNW	3.0W	0.610kg
				4	LR5-401LJNW	4.0W	0.650kg
				5	LR5-501LJNW	5.0W	0.690kg
			O	1	LR5-101LJBW	2.1W	0.580kg
				2	LR5-201LJBW	3.1W	0.620kg
				3	LR5-301LJBW	4.1W	0.660kg
				4	LR5-401LJBW	5.1W	0.700kg
				5	LR5-501LJBW	6.1W	0.740kg
	24V DC	φ40	-	1	LR4-102LJNW[U]	1.0W	0.495kg/0.645kg
				2	LR4-202LJNW[U]	2.0W	0.530kg/0.680kg
				3	LR4-302LJNW[U]	3.0W	0.565kg/0.715kg
				4	LR4-402LJNW[U]	4.0W	0.600kg/0.750kg
				5	LR4-502LJNW[U]	5.0W	0.635kg/0.785kg
		O	1	LR4-102LJBW[U]	2.0W	0.530kg/0.680kg	
			2	LR4-202LJBW[U]	3.0W	0.565kg/0.715kg	
			3	LR4-302LJBW[U]	4.0W	0.600kg/0.750kg	
			4	LR4-402LJBW[U]	5.0W	0.635kg/0.785kg	
			5	LR4-502LJBW[U]	6.0W	0.670kg/0.820kg	
φ50	-	1	LR5-102LJNW	1.0W	0.530kg		
		2	LR5-202LJNW	2.0W	0.570kg		
		3	LR5-302LJNW	3.0W	0.610kg		
		4	LR5-402LJNW	4.0W	0.650kg		
		5	LR5-502LJNW	5.0W	0.690kg		
O	1	LR5-102LJBW	2.0W	0.580kg			
	2	LR5-202LJBW	3.0W	0.620kg			
	3	LR5-302LJBW	4.0W	0.660kg			
	4	LR5-402LJBW	5.0W	0.700kg			
	5	LR5-502LJBW	6.0W	0.740kg			
φ60	-	1	LR6-102LJNW[U]	1.0W	0.560kg/0.700kg		
		2	LR6-202LJNW[U]	2.0W	0.620kg/0.760kg		
		3	LR6-302LJNW[U]	3.0W	0.680kg/0.820kg		
		4	LR6-402LJNW[U]	4.0W	0.740kg/0.880kg		
		5	LR6-502LJNW[U]	5.0W	0.800kg/0.940kg		
	O	1	LR6-102LJBW[U]	2.0W	0.620kg/0.760kg		
		2	LR6-202LJBW[U]	3.0W	0.680kg/0.820kg		
		3	LR6-302LJBW[U]	4.0W	0.740kg/0.880kg		
		4	LR6-402LJBW[U]	5.0W	0.800kg/0.940kg		
		5	LR6-502LJBW[U]	6.0W	0.860kg/1.000kg		
100-240V AC*	φ40	-	1	LR4-1M2LJNW	1.5W	0.575kg	
			2	LR4-2M2LJNW	3.0W	0.610kg	
			3	LR4-3M2LJNW	4.5W	0.645kg	
			4	LR4-4M2LJNW	6.0W	0.680kg	
			5	LR4-5M2LJNW	7.5W	0.715kg	
	O	1	LR4-1M2LJBW	3.0W	0.610kg		
		2	LR4-2M2LJBW	4.5W	0.645kg		
		3	LR4-3M2LJBW	6.0W	0.680kg		
		4	LR4-4M2LJBW	7.5W	0.715kg		
		5	LR4-5M2LJBW	9.0W	0.750kg		
	φ60	-	1	LR6-1M2LJNW	1.5W	0.660kg	
			2	LR6-2M2LJNW	3.0W	0.720kg	
			3	LR6-3M2LJNW	4.5W	0.780kg	
			4	LR6-4M2LJNW	6.0W	0.840kg	
			5	LR6-5M2LJNW	7.5W	0.900kg	
O	1	LR6-1M2LJBW	3.0W	0.720kg			
	2	LR6-2M2LJBW	4.5W	0.780kg			
	3	LR6-3M2LJBW	6.0W	0.840kg			
	4	LR6-4M2LJBW	7.5W	0.900kg			
	5	LR6-5M2LJBW	9.0W	0.960kg			
Direct Mount With M12 Connector	24V DC	φ60	-	3	LR6-302WCNW	3.0W	0.350kg

\* Not suitable for KC (KN 61000-6-4, KN 61000-6-2) and Low Voltage Directive (TEC / EN 60947-5-1, EN 62471).

# LR Series Modular Models

## Select a Buzzer Unit (for Flashing / Buzzer function)

Size	Color	Model
φ40		LR4-B□
φ50		LR5-B□
φ60		LR6-B□
φ70		LR7-B□

□•••W: Off-white U: Silver K: Black

## Select an LED Unit

Size	Color	Model
φ40		LR4-E-R/Y/G/B/C
		LR4-E-RZ/YZ/GZ/BZ CLEAR
φ50		LR5-E-R/Y/G/B/C
		LR4-E-RZ/YZ/GZ/BZ CLEAR
φ60		LR6-E-R/Y/G/B/C
		LR6-E-RZ/YZ/GZ/BZ CLEAR
φ70		LR7-E-R/Y/G/B/C
φ60		LR6-E-MZ Multi-color

## Select a Body Unit

Mounting Type	Rated Voltage	Size	Model
	12V DC	φ50	LR5-01WJNW
		φ40	LR4-02WJNW[U]
	24V DC	φ50	LR5-02WJNW
		φ60	LR6-02WJNW[U]
		φ70	LR7-02WJNW
100 - 240V AC	φ40	LR4-M2WJNW	
	φ60	LR6-M2WJNW	
	24V DC	φ50	LR5-02WTNW[U][K]
		φ70	LR7-02WTNW[U][K]
	24V DC	φ50	LR5-02KTNW[U][K]
		φ70	LR7-02KTNW[U][K]
	24V DC	φ60	LR6-02WCNW

## Body Unit Model Code

(Ex.) **LR6-02WJNW**

Model ① ② ③ ④ ⑤

- ① Size  
4 = φ40  
5 = φ50  
6 = φ60  
7 = φ70
  - ② Rated Voltage  
01 = 12V DC\*1  
02 = 24V DC  
M2 = 100 - 240V AC \*2
  - ③ Mounting/Wiring  
WJ = Direct Mount/Cable  
WT = Direct Mount/Terminal\*3  
KT = Knock-outs Mount/Terminal\*3  
WC = Direct Mount/M12 Connector\*4  
LJ = Pole Mount with L-bracket/Cable\*5  
PJ = Pole Mount with Circular Bracket/Cable\*5  
QJ = Pole Mount with Folding Bracket/Cable\*6
  - ④ Flashing/Buzzer  
N = No Flashing/Buzzer
  - ⑤ Body Color  
W = Off-white  
U = Silver  
K = Black\*7
- \*1 For LR5 models only  
\*2 For WJ, LJ and PJ mounting with LR4 and LR6 models  
\*3 For LR5, LR7 DC24V models only  
\*4 For LR6 DC24V models only  
\*5 For LR4, LR5 and LR6 models  
\*6 With LR4 and LR6 DC24V Off-white models only  
\*7 For LR5, LR7 models only

## 3 Easy Steps

**1** Remove the headcover to setup the body unit



**2** Attach from bottom to top, one LED unit at a time to the body unit



**3** Replace the headcover, or attach the buzzer unit



## See the Movie!!

Scan the QR code to see how easy the LR is to configure.



Mounting Type	Rated Voltage	Size	Model
	12V DC	φ50	LR5-01PJNW
		φ40	LR4-02PJNW[U]
	24V DC	φ50	LR5-02PJNW
	12V DC	φ50	LR5-01LJNW
		φ40	LR4-02LJNW[U]
	24V DC	φ50	LR5-02LJNW
	12V DC	φ50	LR5-01LJNW
		φ40	LR4-02LJNW[U]
	24V DC	φ50	LR5-02LJNW[U]
100 - 240V AC	φ40	LR4-M2PJNW	
	φ60	LR6-M2PJNW	
24V DC	φ40	LR4-02QJNW	
	φ60	LR6-02QJNW	

### Removable Screwless Terminal

A new removable terminal for easier wiring.

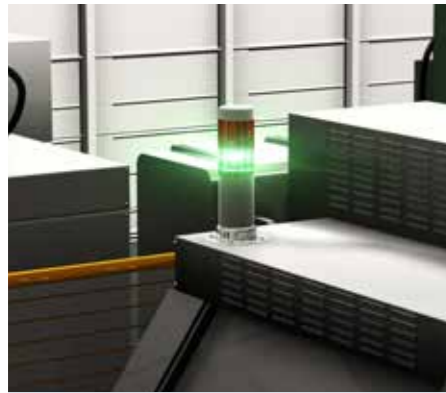
The terminal can be pulled out



# Signal Tower

## LR Series Optional Parts

### Direct Mount Brackets

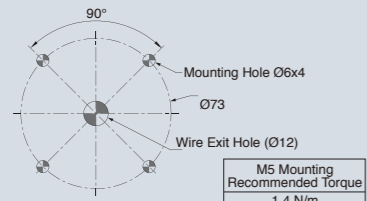


#### Circular Bracket

Model: SZW-001W

Material: SPCE

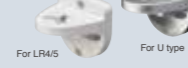
■ Mounting Dimensions (Unit: mm)



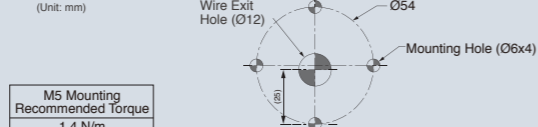
#### Wall-mount Bracket

Model: SZK-002W/U/K

Material: PC



■ Mounting Dimensions (Unit: mm)



Model: SZK-003W/U/K

Material: PC

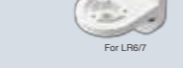


■ Mounting Dimensions (Unit: mm)

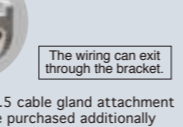


Model: SZK-004W

Material: PC

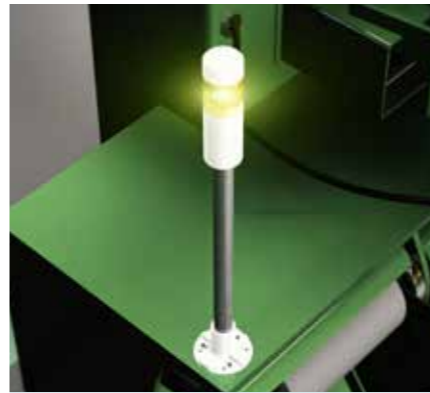


■ Mounting Dimensions (Unit: mm)



※An M16xP1.5 cable gland attachment needs to be purchased additionally

### N Type Aluminum Pole Brackets



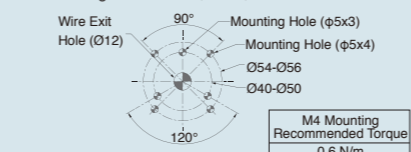
#### Circular Multiple-mount Bracket

Model: SZP-001W

Accessories: Waterproof Packing Pole Waterproof Ring Binding Head Tapping Screw (2 pcs.)

Material: PC

■ Mounting Dimensions (Unit: mm)



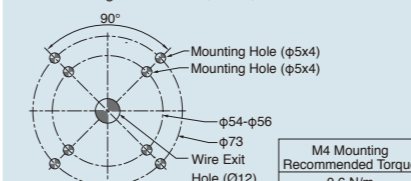
#### Circular Bracket

Model: SZP-002U

Accessories: Pole Waterproof Ring Binding Head Tapping Screw (2 pcs.)

Material: ADC12

■ Mounting Dimensions (Unit: mm)



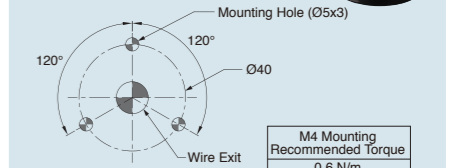
#### Circular Bracket

Model: SZP-003W/U/K

Accessories: Waterproof Packing Pole Waterproof Ring Binding Head Tapping Screw (2 pcs.)

Material: PC

■ Mounting Dimensions (Unit: mm)



### N Type Aluminum Pole Brackets



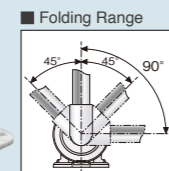
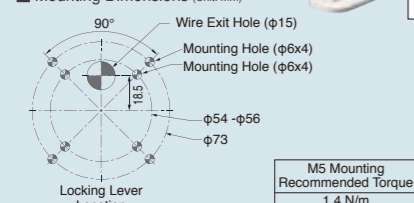
#### Folding Bracket

Model: SZQ-001W

Accessories: Pole Waterproof Ring Binding Head Tapping Screw (2 pcs.)

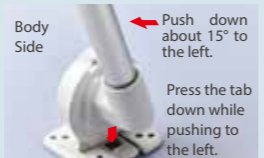
Material: PC

■ Mounting Dimensions (Unit: mm)



See the Movie!

1 Depressing a locking lever on the left side of the folding bracket releases it to be lowered.



2 Press the folding bracket forward and push about 15° in the clockwise direction.



3 The folding bracket is pushed down to the right (clockwise) until it locks in place with a "Click" sound.



### T Type Aluminum Pole Brackets

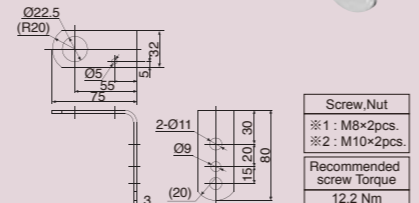


#### L-bracket

Model: SZL-001

Material: SPHC-P

■ Mounting Dimensions (Unit: mm)



### N & T Aluminum Pole Brackets



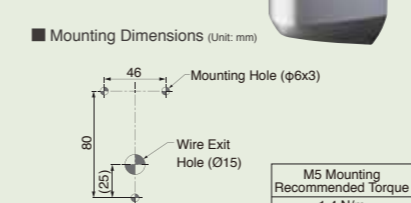
#### Wall-mount Bracket

Model: SZK-001U

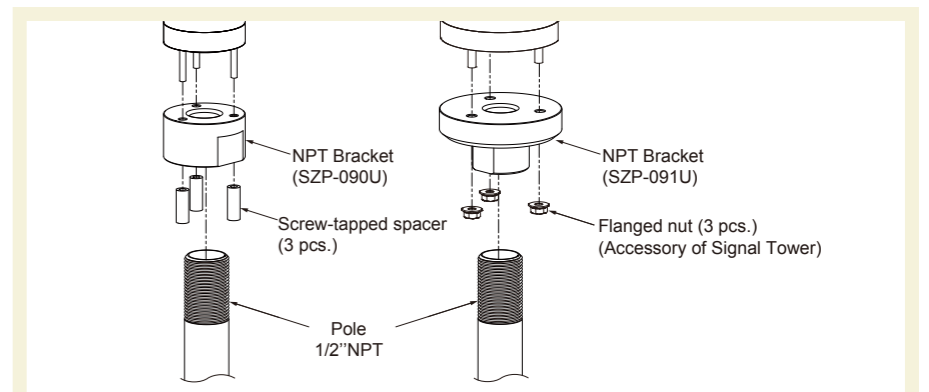
Accessories: Hexagon Socket Set Screw (2 pcs.)

Material: ADC12

■ Mounting Dimensions (Unit: mm)



### 1/2" Type Pole Brackets



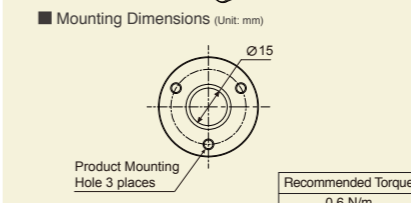
#### NPT Bracket

Model: SZP-090U

Accessories: Screw-tapped spacer (3 pcs.)

Material: AL

■ Mounting Dimensions (Unit: mm)

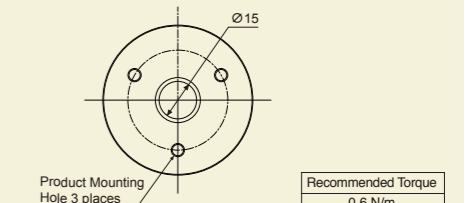


#### NPT Bracket

Model: SZP-091U

Material: AL

■ Mounting Dimensions (Unit: mm)



# Corresponding Model · Pole List

## Each Bracket Compatible Model

Model	Model Name	LR4	LR5	LR6	LR7
	SZP-001W	PJ, QJ	PJ, KT *1	PJ, QJ	KT *1
	SZP-002U	PJ, QJ	PJ, KT *1	PJ, QJ	KT *1
	SZP-003W[U][K]	PJ, QJ	PJ, KT *1	PJ, QJ	KT *1
	SZP-090U	WJ	WJ, WT, KT *2	-	-
	SZP-091U	-	-	WJ	WJ, WT, KT *2
	SZL-001	LJ	LJ, KT *1	LJ	LJ, KT *1
	SZQ-001W	PJ, QJ	PJ, KT *1	PJ, QJ	KT *1
	SZK-001U	PJ, QJ	PJ, KT *1	PJ, QJ	KT *1
	SZK-002W[U][K]	WJ	WJ, WT, KT *2	-	-
	SZK-003W[U][K]	-	-	WJ	WJ, WT, KT *2
	SZK-004W	-	-	WJ	WJ, WT, KT *2
	SZW-001W	WJ	WJ, WT, KT *2	WJ	-

\*1 Required pole and pole waterproof ring are not included with KT. \*2 KT Direct Mount (Using accessory)

## Aluminum Poles

Aluminum Poles (Binding Head Tapping Screw (2pcs.) included.)

\*If the pole is to be cut by the customer, it cannot be cut with a pole cutter. Please use a band saw, jigsaw, or sawing machine, etc.  
\*To convert from direct mount to pole mount, be sure to purchase the appropriate bracket and pole combination to make the change.

Model Type	Model Name	SZP-001W	SZP-002U	SZP-003W	SZQ-001W	SZK-001U	SZL-001
N Type NK Type	POLE22-0100AN[K] 100mm	○	○	○	○	○	×
	POLE22-0300AN[K] 300mm	○	○	○	○	○	×
	POLE22-0500AN 500mm	×	○	×	×	○	×
	POLE22-0800AN[K] 800mm	×	○	×	×	○	×
	POLE22-1000AN 1000mm	×	○	×	×	○	×
T Type Nuts Incl.	POLE22-0100AT 100mm	×	×	×	×	○	○
	POLE22-0300AT 300mm	×	×	×	×	○	○
	POLE22-0500AT 500mm	×	×	×	×	○	○
	POLE22-0800AT 800mm	×	×	×	×	○	○
	POLE22-1000AT 1000mm	×	×	×	×	○	○

# LR Series Upcoming Products

## LR Series 3<sup>rd</sup> Phase

Available in 2018

### Compatible Direct Mount Bracket

The required holes to pass through the wires for the current units and the LR units are different, so a hole positioning attachment will become available in Q1, 2018. This attachment will make it easier to pass through the wires from the signal tower through the installation surface.



Outline

Model Name	SZW-940U	SZW-950U	SZW-960U	SZW-970U
Signal Tower Size	φ40mm	φ50mm	φ60mm	φ70mm
Product Conversion	LCE-AW → LR4-WJ	LE-W/LES-AW/LU5 → LR5-WJ	LME-W → LR6-WJ	LHE/LU7 → LR7-WJ

Current Products

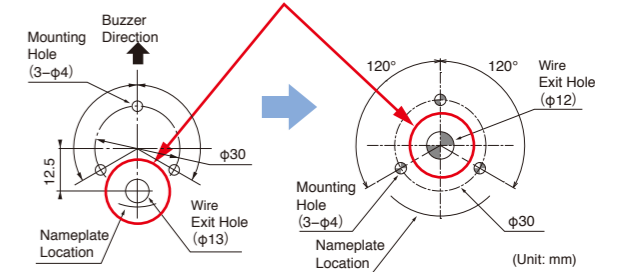
LE φ50

New Product

LR4 φ40

LR5 φ50

Note : Cable exit hole for current products and New products is different



### Pole-compatible Adaptor

The LCE, LE, and LES series use a 17.3mm pole and the LR series use a 21.7mm pole. The adaptor will allow users to attach pole to the place used at the diameter of 17.3mm.



Outline

Model Name	SZP-917U
Pole diameter compatibility	21.7mm → 17.3mm

	Model	Material	Compatible with LR Pole?
Current Product	LCE, LCS	Iron	No
	LE, LES	Iron	No
	LU5	-	-
	LME, LMS	L:Iron P:Aluminum	Yes
	LHE	-	-
	LU7	-	-
New Product	LR	Aluminum	Yes

### Replacement Parts

#### O-ring (5 per pack)/Headcover

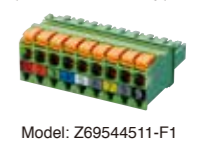
O-ring 40 Model: B25110065-F1	Headcover 40 Model: [W] B32310070-7F1 [U] B32310070-9F1	O-ring 50 Model: B25110066-F1	Headcover 50 Model: [W] B32310071-7F1 [K] B32310071-8F1 [U] B32310071-9F1	O-ring 60 Model: B25110067-F1	Headcover 60 Model: [W] B32310072-7F1 [U] B32310072-9F1	O-ring 70 Model: B25110068-F1	Headcover 70 Model: [W] B32310073-7F1 [K] B32310073-8F1 [U] B32310073-9F1

#### Base Unit

Adaptor for Aluminum Pole  
O-ring, Binding Head Tapping Screw for pole fixing and Pole Waterproof Ring are included.

LR4 Model: [W] B22210159-7F1 [U] B22210159-9F1	LR5 Model: [W] B22210160-7F1 [K] B22210160-8F1 [U] B22210160-9F1	LR6 Model: [W] B22210161-7F1 [U] B22210161-9F1	LR7 Model: [W] B22210178-7F1 [K] B22210178-8F1 [U] B22210178-9F1

#### Terminal Block (LR5 & LR7 only)



Model: Z69544511-F1

#### Filter Sheet (5 per pack)

LR4 LED Unit Sheet Model: B25310067-4F1	LR5 LED Unit Sheet Model: B25310067-5F1	LR6 LED Unit Sheet Model: B25310067-6F1	LR7 LED Unit Sheet Model: B25310067-7F1



# Wiring Diagrams

**Wire Type & Wire Gauge**  
 Wire Type: UL2464  
 Wire Gauge: [01] 12V DC [02] 24V DC  
 Signal Wire: AWG24  
 Power Supply Wire: AWG24

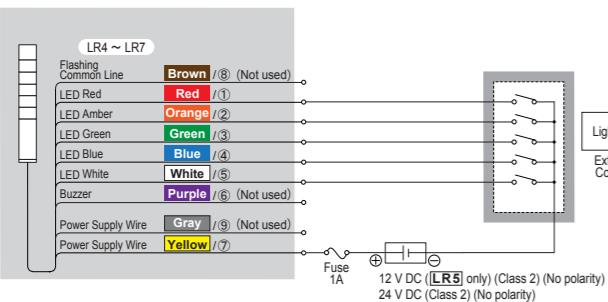
Wiring Example Index	Function Name	Lead Wire Color (Cable type)	PIN No.	Terminal Type
	LED Red	Red / ①		[WT], [KT]

\*Note: The lead wire color does not indicate the LED fluorescence color. Refer to pg. 16 "Terminal Block Array"

Product Specifications **[01]** 12V DC **[02]** 24V DC

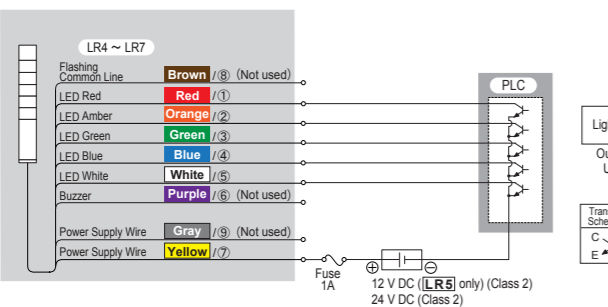
External Contact Classification

Voltage Contact Relay



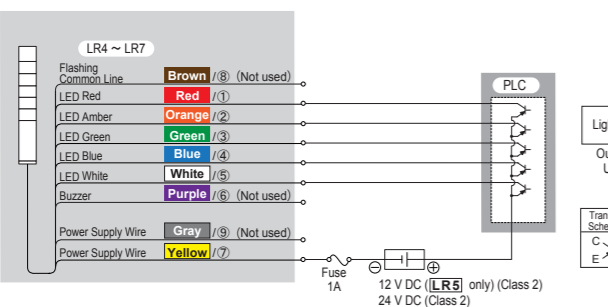
External Contact Classification

PLC (NPN Transistor)



External Contact Classification

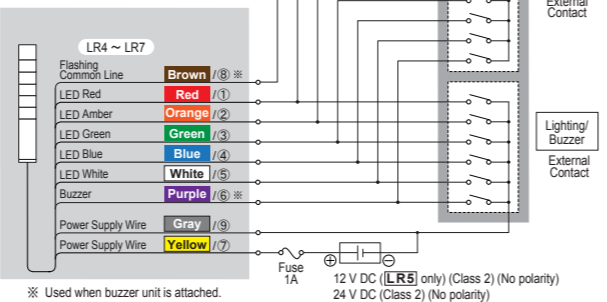
PLC (PNP Transistor)



Product Specifications **[01]** 12V DC **[02]** 24V DC

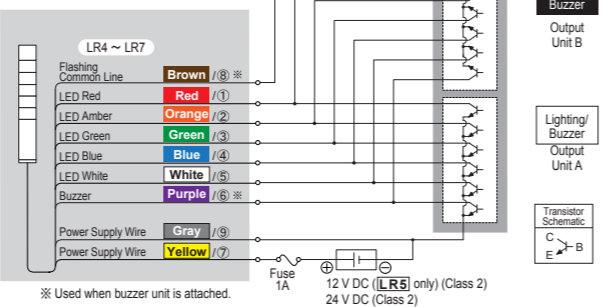
External Contact Classification

Voltage Contact Relay



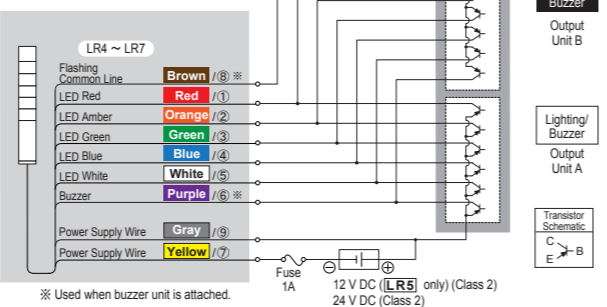
External Contact Classification

PLC (NPN Transistor)



External Contact Classification

PLC (PNP Transistor)

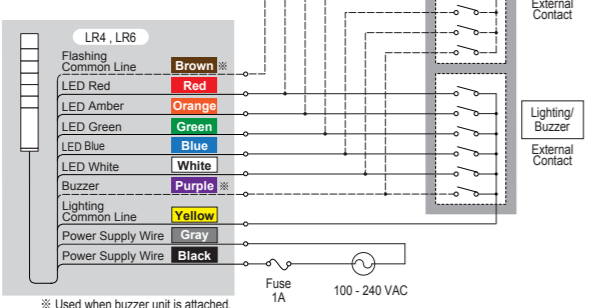


《LR Series 2-Buzzer Operation Method》  
 Connecting the Buzzer wire (Purple) with the Flashing Common wire (Brown) will control the selection of two different buzzer sounds.

Product Specifications **[M2]** 100 - 240 V AC

External Contact Classification

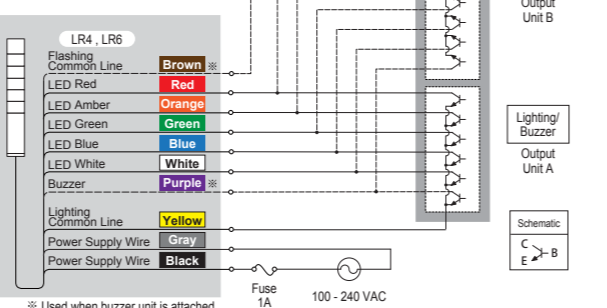
Voltage Contact Relay



**Wire Type & Wire Gauge**  
 Wire Type: UL2464  
 Wire Gauge: [M2] 100-240V AC  
 Signal Wire: AWG24  
 Power Supply Wire: AWG18

External Contact Classification

PLC (NPN Transistor)



# Multi-color Wiring Diagrams

Multi-color LED Unit wire colors are Red / ①; Green / ③; Blue / ④. Wire colors Orange / ② and White / ⑤ are not used.  
 Refer to the Complete User's Manual for details.

LR6-E-MZ Lighting

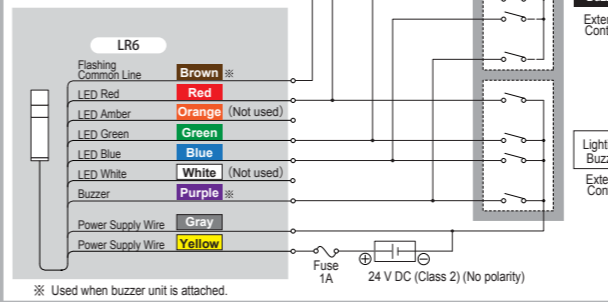
LED Color	Wire Color
Red	Red
Green	Green
Blue	Blue
Amber	Red + Green
Purple	Red + Blue
Cyan	Green + Blue
White	Red + Green + Blue

Lighting / Flashing / Buzzer (LR6-E-MZ)

Product Specifications **[02]** 24V DC

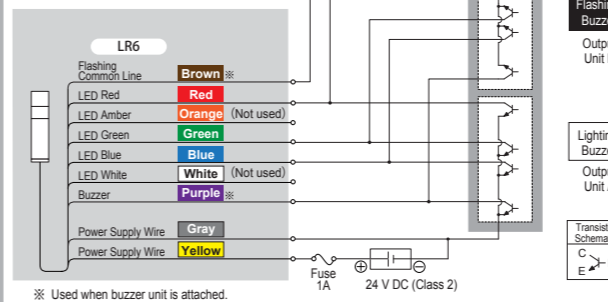
External Contact Classification

Voltage Contact Relay



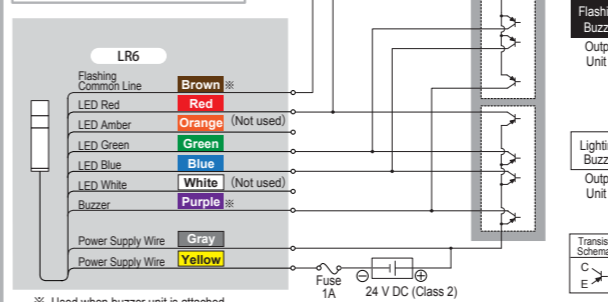
External Contact Classification

PLC (NPN Transistor)



External Contact Classification

PLC (PNP Transistor)

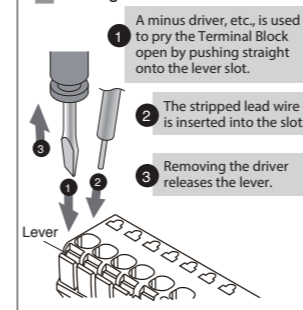


**Point**

When flashing the LR6-E-MZ simultaneously with the LR6-E-R(Z)/Y(Z)/G(Z)/B(Z)/C, the flashing cycle of the LR6-E-MZ may shift from the other LED units.

[WT],[KT] Terminal Type

Wiring Method



Terminal Block Array

9	Black	Power (Signal)
8	Grey	Flashing Common
7	Yellow	Power (Common)
6	Grey	Buzzer
5	White	LED White
4	Blue	LED Blue
3	Green	LED Green
2	Orange	LED Yellow
1	Red	LED Red

Recommended lead wire specification  
 Wire Type Wire (Solid) Wire (Frayed)  
 UL1007 / UL1430 0.14 - 1.5mm AWG30 - 14  
\*Temperature rating should be above 75°C, and the conductor material should be of copper wire.

# M12 (LA6-WC) Wiring Diagrams

Wiring Example Index	Function Name	PIN No.	Terminal Type
	LED Red	⑥	[WC]

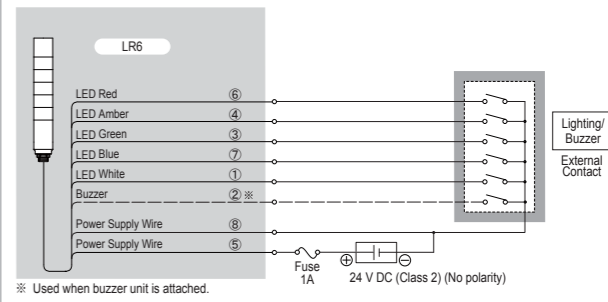
\*Direct Mount with M12 Connector

Lighting / Buzzer (LR6-WC)

Product Specifications **[02]** [WC] 24V DC

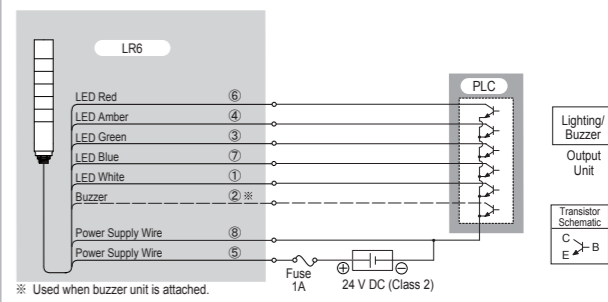
External Contact Classification

Voltage Contact Relay



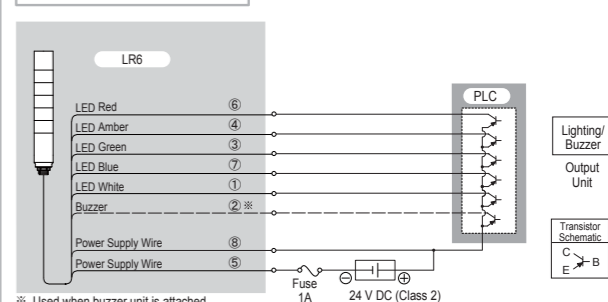
External Contact Classification

PLC (NPN Transistor)



External Contact Classification

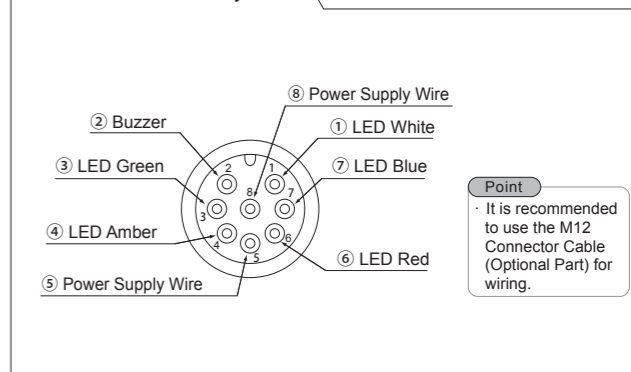
PLC (PNP Transistor)



**Point**

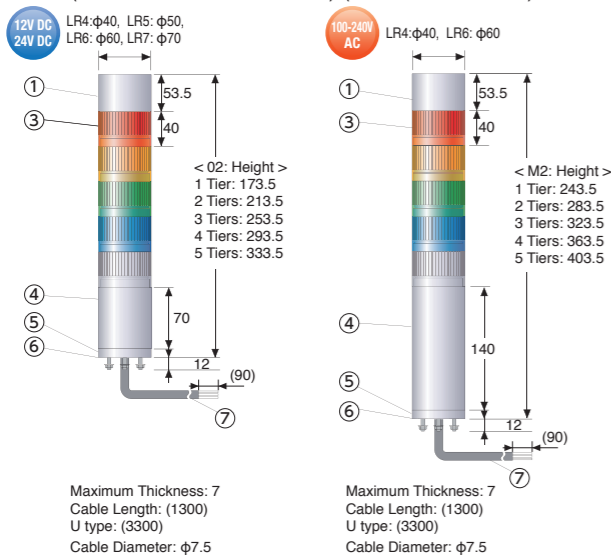
The flashing function cannot be used.

M12 Connector Pin Layout



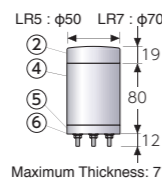
# Outer Dimensional Drawing (Unit: mm)

**Mount A [WJ] Direct Mount/Cable**  
(01: 12V DC / 02: 24V DC) (M2: 100-240V AC)

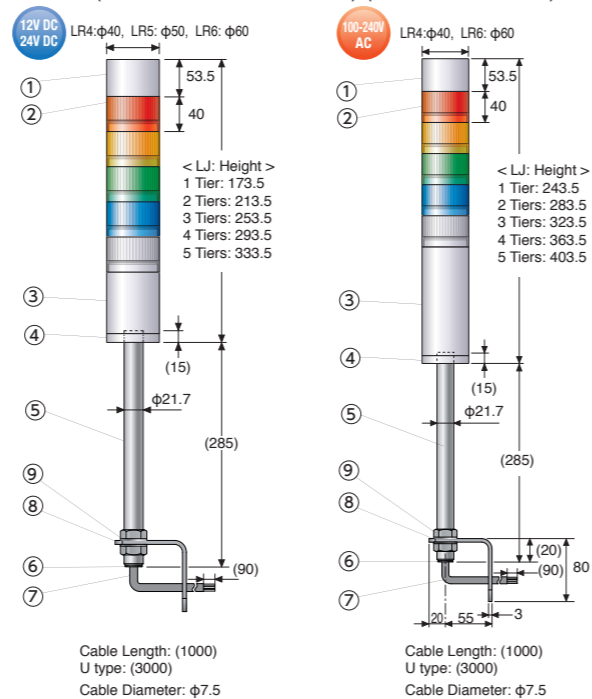


No.	Description	Material
①	Buzzer Unit	PC
②	Head Cover	PC
③	LED Unit	Globe: PC
④	Body	PC
⑤	Direct Mount Bracket	PC
⑥	Waterproof Packing	Silicon Rubber
⑦	Cable	PVC

**Mount A [WT] Direct Mount/  
Screwless Terminal (Body Unit)**

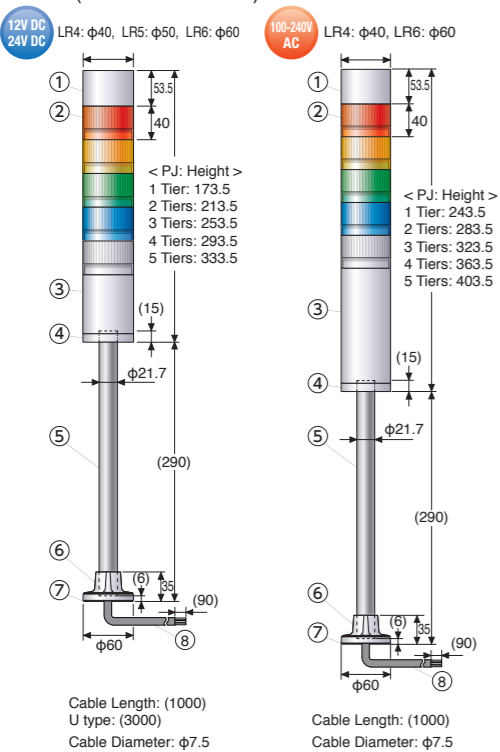


**Mount B [LJ] Pole Mount with L-bracket & Cable**  
(01: 12V DC / 02: 24V DC) (M2: 100-240V AC)



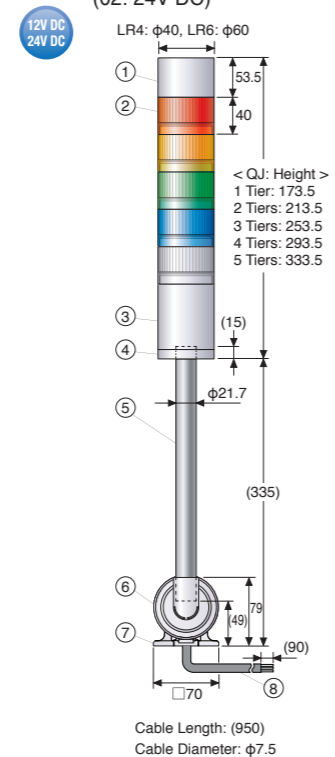
No.	Description	Material
①	Buzzer Unit	PC
②	LED Unit	Globe: PC
③	Body	PC
④	Pole Bracket	PC
⑤	Pole	AL
⑥	Rubber Bushing	EPR Rubber
⑦	Cable	PVC
⑧	L-bracket	Steel
⑨	Hexagon Nut M22	SUM

**Mount A [PJ] Pole Mount with/Circular Bracket & Cable**  
(01: 12V DC / 02: 24V DC) (M2: 100-240V AC)



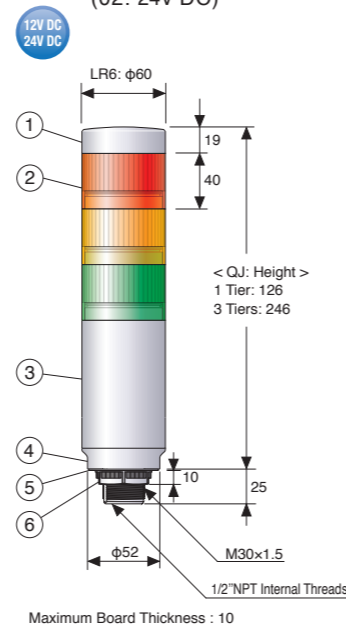
No.	Description	Material
①	Buzzer Unit	PC
②	LED Unit	Globe: PC
③	Body	PC
④	Pole Bracket	PC
⑤	Pole	AL
⑥	Circular Bracket	PC
⑦	Waterproof Packing	Silicon Rubber
⑧	Cable	PVC

**Mount C [QJ] Pole Mount with/Folding Bracket & Cable**  
(02: 24V DC)



No.	Description	Material
①	Buzzer Unit	PC
②	LED Unit	Globe: PC
③	Body	PC
④	Pole Bracket	PC
⑤	Pole	AL
⑥	Folding Bracket	PC
⑦	Waterproof Packing	CR
⑧	Cable	PVC

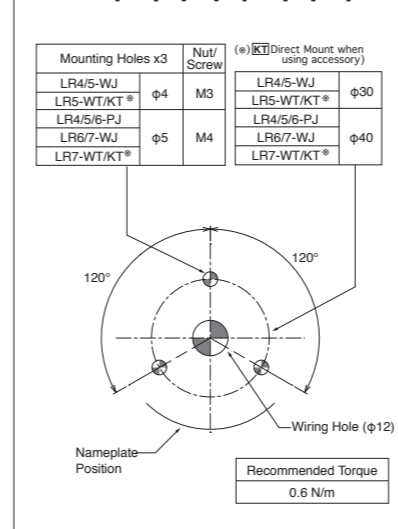
**Mount C [WC] Direct Mount with M12 Connector**  
(02: 24V DC)



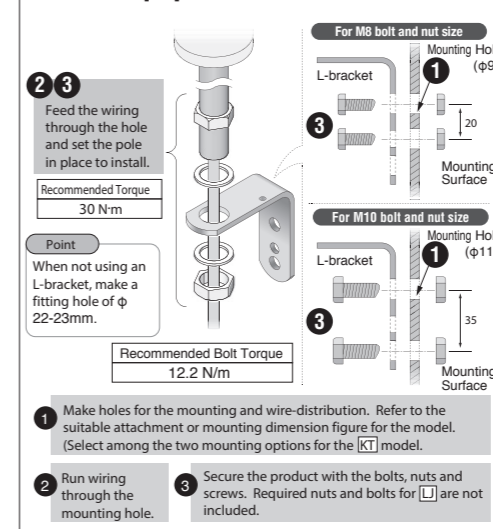
No.	Description	Material
①	Head Cover	PC
②	LED Unit	Globe: PC
③	Body	PC
④	Direct Mount Bracket	PC
⑤	Waterproof Packing (t=1)	Silicone Rubber
⑥	M30 Nut	PC

# Mounting Dimensions (Unit: mm)

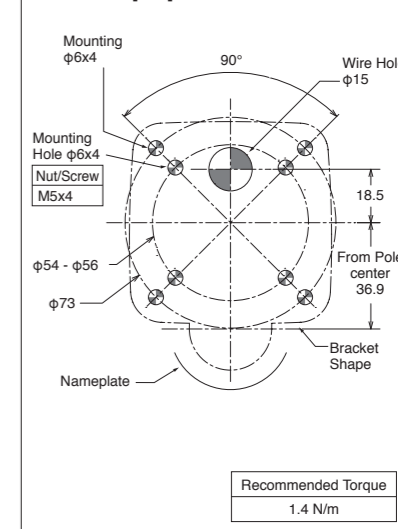
**Mount A Mounting Diagram**  
[WJ] / [PJ] / [WT] / [KT]



**Mount B Mounting Diagram**  
[LJ]



**Mount C Mounting Diagram**  
[QJ]



## Specifications

Operating Ambient Temperature	-20 - +50°C
Operating Ambient Humidity	Less than 90% RH (No Condensation)
Storage Ambient Temperature	-30 - +60°C
Storage Ambient Humidity	Less than 90% RH (No Condensation)
Mounting Location	Indoor Only
Mounting Direction	Upright
Protection Rating*1	IP65 (IEC 60529) / NEMA TYPE 4X, 13
Environmental Conditions	Upright
Insulation Resistance	More than 1MΩ at DC500V between live part and non-current carrying metallic part
Withstand Voltage	500V AC applied for 1 minute between live part and non-current carrying metallic part without breaking insulation (M2: 1500V AC for 1 min.)
Flash Rate	60 ±2 Flashes Per Minute
Sound Pressure Level	LR4 Typ. 85dB LR5 Typ. 85dB LR6 Typ. 88dB LR7 Typ. 90dB LR5 DC12V Typ. 80dB
Sound Reduction*2	Approx. -10dB
Environmental Conditions	Buzzer Sound No.4 was measured from the total circumference of the Buzzer Unit at 1m
Buzzer Sound	4 patterns*2 No.1 Rapid Intermittent beep No.2 Continuous beep sound No.3 Rapid Hi-low No.4 Sweep sound
Transistor Output	NPN / PNP (100 - 240V AC is NPN only)
Conformity Standards	<ul style="list-style-type: none"> <li>UL 508, CSA-C22.2 No.14</li> <li>FCC Part 15 Subpart B Class A</li> <li>RoHS Directive (EN 50581)</li> <li>EMC Directive (EN 61000-6-4, EN 61000-6-2)</li> <li>KC (KN 61000-6-4, KN 61000-6-2)*3</li> <li>Low-voltage Directive (IEC/EN 60947-5-1, EN62471)*4</li> </ul>

\*1: LJ Type is IP54 \*2: Dependent on DIP Switch Settings \*3: Except KT and M2 LJ Type \*4: M2 Type Only (Except LJ Type)

## External Contact Capacity

		Is:Current Capacity	Vs:Withstand Voltage	IL:Leakage Current	Ta:Ambient Temperature
LED Unit (1 Tier)	Rated Load Voltage	[01] 12V DC	[02] 24V DC	[M2] 100 - 240V AC	
	Signal Wire Current (Max.) / Voltage	100mA / Power Supply Voltage	45mA / Power Supply Voltage	45mA / 24V DC	
Buzzer	Recommended Contact Capacity	Is ≥ 100mA Vs ≥ 20V DC*1	Is ≥ 100mA Vs ≥ 35V DC	Is ≥ 100mA Vs ≥ 35V DC	
	Signal Wire Current (Max.) / Voltage	250mA / Power Supply Voltage	250mA / Power Supply Voltage	250mA / 24V DC	
Power Supply	Recommended Contact Capacity	Is ≥ 300mA Vs ≥ 20V DC*1	Is ≥ 300mA Vs ≥ 35V DC	Is ≥ 300mA Vs ≥ 35V DC	
	Current Consumption (Max.)	500mA	250mA	150mA	
Inrush Current	Recommended Contact Capacity	Is ≥ 700mA Vs ≥ 20VDC	Is ≥ 500mA Vs ≥ 35V DC	Inrush current or more contacts	
	Signal Wire	LED None*1 / Buzzer None	LED None / Buzzer None	None	
Leakage Current	Power Supply Wire	0.7A / Less than 15ms	None	None	
				Ta=25°C : 25A / Less than 2ms (Cold-start) Ta=50°C : 50A / Less than 2ms (Cold-start)	
Leakage Current		IL ≤ 0.1 mA			

\*1: When the (Gray for [WJ], [LJ], [PJ], [QJ], Black / Gray for [WT], [KT], Gray for [WC]) power supply wire is not connected, inrush current of 0.7A will flow through the signal wire. Recommended Contact Capacity: Is ≥ 700mA Vs ≥ 20VDC

## LED Unit Specifications

Color	Red	Amber	Green	Blue	White	Multi-color	
	Rated Voltage	24V DC					
Current Consumption	Typ.	0.04A					
	Max.	0.045A					
Power Consumption	Typ.	1W					
	Max.	1.3W					

## Buzzer Unit Specifications

Rated Voltage	24V DC	
Current Consumption	Typ.	0.04A
	Max.	0.3A
Power Consumption	Typ.	1W
	Max.	1.3W



# LR Series Compatibility Chart (φ40 - φ50)

Current Models					Succeeding Models				
Series	Voltage	Installation Type	Buzzer	Model	Model	Comment	Installation Pitch	Fixed Wiring Hole	
LCE-(A) φ40	24V AC/DC	Direct Mount	○	LCE-102(A)FBW	LR4-102WJBW		○	×	
				LCE-202(A)FBW	LR4-202WJBW		○	×	
				LCE-302(A)FBW	LR4-302WJBW		○	×	
				LCE-402(A)FBW	LR4-402WJBW		○	×	
				LCE-502(A)FBW	LR4-502WJBW		○	×	
				LCE-102(A)W	LR4-102WJNW		○	×	
		LCE-202(A)W	LR4-202WJNW		○	×			
		LCE-302(A)W	LR4-302WJNW		○	×			
		LCE-402(A)W	LR4-402WJNW		○	×			
		LCE-502(A)W	LR4-502WJNW		○	×			
		LCE-102(A)FB	LR4-102LJBW		○	○			
		LCE-202(A)FB	LR4-202LJBW		○	○			
	LCE-302(A)FB	LR4-302LJBW		○	○				
	LCE-402(A)FB	LR4-402LJBW		○	○				
	LCE-502(A)FB	LR4-502LJBW		○	○				
	LCE-102(A)	LR4-102LJNW		○	○				
	LCE-202(A)	LR4-202LJNW		○	○				
	LCE-302(A)	LR4-302LJNW		○	○				
	LCE-402(A)	LR4-402LJNW		○	○				
	LCE-502(A)	LR4-502LJNW		○	○				
	LCE-102(A)FBK	LR4-102PJBW	Purchase SZK-001U option bracket additionally.	×	×				
	LCE-202(A)FBK	LR4-202PJBW		×	×				
	LCE-302(A)FBK	LR4-302PJBW		×	×				
	LCE-402(A)FBK	LR4-402PJBW		×	×				
LCE-502(A)FBK	LR4-502PJBW	×		×					
90 - 250V AC	Direct Mount	○	LCE-1M2(A)FBW	LR4-1M2WJBW		○	×		
			LCE-2M2(A)FBW	LR4-2M2WJBW		○	×		
			LCE-3M2(A)FBW	LR4-3M2WJBW		○	×		
			LCE-4M2(A)FBW	LR4-4M2WJBW		○	×		
			LCE-5M2(A)FBW	LR4-5M2WJBW		○	×		
			LCE-1M2(A)W	LR4-1M2WJNW		○	×		
	LCE-2M2(A)W	LR4-2M2WJNW		○	×				
	LCE-3M2(A)W	LR4-3M2WJNW		○	×				
	LCE-4M2(A)W	LR4-4M2WJNW		○	×				
	LCE-5M2(A)W	LR4-5M2WJNW		○	×				
	LCE-1M2(A)FB	LR4-1M2LJBW	Does not comply with Low-voltage Directive (IEC/EN 60947-5-1, EN62471).	○	○				
	LCE-2M2(A)FB	LR4-2M2LJBW		○	○				
LCE-3M2(A)FB	LR4-3M2LJBW	○		○					
LCE-4M2(A)FB	LR4-4M2LJBW	○		○					
LCE-5M2(A)FB	LR4-5M2LJBW	○		○					
LCE-1M2(A)	LR4-1M2LJNW	○		○					
LCE-2M2(A)	LR4-2M2LJNW	○		○					
LCE-3M2(A)	LR4-3M2LJNW	○		○					
LCE-4M2(A)	LR4-4M2LJNW	○		○					
LCE-5M2(A)	LR4-5M2LJNW	○		○					
LCS-(A) φ40	24V AC/DC	Pole Mount (L-bracket)		×	LCS-102(A)	LR4-102LJNW		○	○
					LCS-202(A)	LR4-202LJNW		○	○
			LCS-302(A)		LR4-302LJNW		○	○	
	Wall-mount Bracket	×	LCS-102(A)K	LR4-102PJNW	Purchase SZK-001U option bracket additionally.	×	×		
			LCS-202(A)K	LR4-202PJNW		×	×		
			LCS-302(A)K	LR4-302PJNW		×	×		
LE φ50	12V AC/DC	Direct Mount	○	LE-101FBW	LR5-101WJBW		○	×	
				LE-201FBW	LR5-201WJBW		○	×	
				LE-301FBW	LR5-301WJBW		○	×	
				LE-401FBW	LR5-401WJBW		○	×	
				LE-501FBW	LR5-501WJBW		○	×	
				LE-101W	LR5-101WJNW		○	×	
		LE-201W	LR5-201WJNW		○	×			
		LE-301W	LR5-301WJNW		○	×			
		LE-401W	LR5-401WJNW		○	×			
		LE-501W	LR5-501WJNW		○	×			
		Pole Mount (L-bracket)	○	LE-101FBP	LR5-101LJBW		○	○	
				LE-201FBP	LR5-201LJBW		○	○	
LE-301FBP	LR5-301LJBW				○	○			
LE-401FBP	LR5-401LJBW				○	○			
LE-501FBP	LR5-501LJBW				○	○			
LE-101P	LR5-101LJNW				○	○			
LE-201P	LR5-201LJNW		○	○					
LE-301P	LR5-301LJNW		○	○					
LE-401P	LR5-401LJNW		○	○					
LE-501P	LR5-501LJNW		○	○					

# LR Series Compatibility Chart (φ50 - φ60)

Current Models					Succeeding Models				
Series	Voltage	Installation Type	Buzzer	Model	Model	Comment	Installation Pitch	Fixed Wiring Hole	
LE φ50	24V AC/DC	Direct Mount	○	LE-102FBW	LR5-102WJBW		○	×	
				LE-202FBW	LR5-202WJBW		○	×	
				LE-302FBW	LR5-302WJBW		○	×	
				LE-402FBW	LR5-402WJBW		○	×	
				LE-502FBW	LR5-502WJBW		○	×	
				LE-102W	LR5-102WJNW		○	×	
		LE-202W	LR5-202WJNW		○	×			
		LE-302W	LR5-302WJNW		○	×			
		LE-402W	LR5-402WJNW		○	×			
		LE-502W	LR5-502WJNW		○	×			
		LE-102FBP	LR5-102LJBW		○	○			
		LE-202FBP	LR5-202LJBW		○	○			
	LE-302FBP	LR5-302LJBW		○	○				
	LE-402FBP	LR5-402LJBW		○	○				
	LE-502FBP	LR5-502LJBW		○	○				
	LE-102P	LR5-102LJNW		○	○				
	LE-202P	LR5-202LJNW		○	○				
	LE-302P	LR5-302LJNW		○	○				
	LE-402P	LR5-402LJNW		○	○				
	LE-502P	LR5-502LJNW		○	○				
	100V AC / 220V AC	Direct Mount	×	LE-110FBW / LE-120FBW	LR4-1M2WJBW	Available for φ40 only.	○	×	
				LE-210FBW / LE-220FBW	LR4-2M2WJBW		○	×	
				LE-310FBW / LE-320FBW	LR4-3M2WJBW		○	×	
				LE-410FBW / LE-420FBW	LR4-4M2WJBW		○	×	
LE-510FBW / LE-520FBW				LR4-5M2WJBW	○		×		
LE-110W / LE-120W				LR4-1M2WJNW	○		×		
LE-210W / LE-220W		LR4-2M2WJNW	○	×					
LE-310W / LE-320W		LR4-3M2WJNW	○	×					
LE-410W / LE-420W		LR4-4M2WJNW	○	×					
LE-510W / LE-520W		LR4-5M2WJNW	○	×					
LE-110FBP / LE-120FBP		LR4-1M2LJBW	Does not comply with Low-voltage Directive (IEC/EN 60947-5-1, EN62471). Available for φ40 only.	○	○				
LE-210FBP / LE-220FBP		LR4-2M2LJBW		○	○				
LE-310FBP / LE-320FBP	LR4-3M2LJBW	○		○					
LE-410FBP / LE-420FBP	LR4-4M2LJBW	○		○					
LE-510FBP / LE-520FBP	LR4-5M2LJBW	○		○					
LE-110P / LE-120P	LR4-1M2LJNW	○		○					
LE-210P / LE-220P	LR4-2M2LJNW	○		○					
LE-310P / LE-320P	LR4-3M2LJNW	○		○					
LE-410P / LE-420P	LR4-4M2LJNW	○		○					
LE-510P / LE-520P	LR4-5M2LJNW	○		○					
LES-A φ50	24V AC/DC	Direct Mount		×	LES-102AW	LR5-102WJNW		×	×
					LES-202AW	LR5-202WJNW		×	×
			LES-302AW		LR5-302WJNW		×	×	
			LES-402AW		LR5-402WJNW		×	×	
			LES-502AW		LR5-502WJNW		×	×	
LU5 φ50	24V DC	Direct Mount	○	LU5-02FB	LR5-02WTNW		○	×	
				LU5-02	LR5-02WTNW		○	×	
				LES-102A	LR5-102LJNW		○	○	
				LES-202A	LR5-202LJNW		○	○	
				LES-302A	LR5-302LJNW		○	○	
LME φ60	24V AC/DC	Direct Mount	×	LME-102FBW	LR6-102WJBW		○	×	
				LME-202FBW	LR6-202WJBW		○	×	
				LME-302FBW	LR6-302WJBW		○	×	
				LME-402FBW	LR6-402WJBW		○	×	
				LME-502FBW	LR6-502WJBW		○	×	
				LME-102W	LR6-102WJNW		○	×	
		LME-202W	LR6-202WJNW		○	×			
		LME-302W	LR6-302WJNW		○	×			
		LME-402W	LR6-402WJNW		○	×			
		LME-502W	LR6-502WJNW		○	×			
		Pole Mount (Circular-mount Bracket)	○	LME-102FB	LR6-102PJBW		○	×	
				LME-202FB	LR6-202PJBW		○	×	
LME-302FB	LR6-302PJBW				○	×			
LME-402FB	LR6-402PJBW				○	×			
LME-502FB	LR6-502PJBW				○	×			
LME-102	LR6-102PJNW				○	×			
LME-202	LR6-202PJNW		○	×					
LME-302	LR6-302PJNW		○	×					
LME-402	LR6-402PJNW		○	×					
LME-502	LR6-502PJNW		○	×					

# LR Series Compatibility Chart (φ60 - φ70)

Current Models					Succeeding Models			
Series	Voltage	Installation Type	Buzzer	Model	Model	Comment	Installation Pitch	Fixed Wiring Hole
LME φ60	24V AC/DC	Pole Mount (L-bracket)	○	LME-102FBL	LR6-102LJBW		○	○
				LME-202FBL	LR6-202LJBW		○	○
				LME-302FBL	LR6-302LJBW		○	○
				LME-402FBL	LR6-402LJBW		○	○
				LME-502FBL	LR6-502LJBW		○	○
				LME-102L	LR6-102LJNW		○	○
		LME-202L	LR6-202LJNW		○	○		
		LME-302L	LR6-302LJNW		○	○		
		LME-402L	LR6-402LJNW		○	○		
		LME-502L	LR6-502LJNW		○	○		
		LME-102FBK	LR6-102PJBW		×	×		
		LME-202FBK	LR6-202PJBW		×	×		
	LME-302FBK	LR6-302PJBW		×	×			
	LME-402FBK	LR6-402PJBW		×	×			
	LME-502FBK	LR6-502PJBW		×	×			
	100V AC / 120V AC	Direct Mount	○	LME-110FBW / LME-112FBW	LR6-1M2WJBW		○	×
				LME-210FBW / LME-212FBW	LR6-2M2WJBW		○	×
				LME-310FBW / LME-312FBW	LR6-3M2WJBW		○	×
				LME-410FBW / LME-412FBW	LR6-4M2WJBW		○	×
				LME-510FBW / LME-512FBW	LR6-5M2WJBW		○	×
				LME-110W / LME-112W	LR6-1M2WJNW		○	×
		LME-210W / LME-212W	LR6-2M2WJNW		○	×		
		LME-310W / LME-312W	LR6-3M2WJNW		○	×		
		LME-410W / LME-412W	LR6-4M2WJNW		○	×		
LME-510W / LME-512W		LR6-5M2WJNW		○	×			
Pole Mount (Circular-mount Bracket)		○	LME-110FB / LME-112FB	LR6-1M2PJBW		○	×	
			LME-210FB / LME-212FB	LR6-2M2PJBW		○	×	
	LME-310FB / LME-312FB		LR6-3M2PJBW		○	×		
	LME-410FB / LME-412FB		LR6-4M2PJBW		○	×		
	LME-510FB / LME-512FB		LR6-5M2PJBW		○	×		
	LME-110 / LME-112		LR6-1M2PJNW		○	×		
LME-210 / LME-212	LR6-2M2PJNW		○	×				
LME-310 / LME-312	LR6-3M2PJNW		○	×				
LME-410 / LME-412	LR6-4M2PJNW		○	×				
LME-510 / LME-512	LR6-5M2PJNW		○	×				
220V AC / 230V AC	Pole Mount (L-bracket)	×	LME-110FBL / LME-112FBL	LR6-1M2LJBW		○	○	
			LME-210FBL / LME-212FBL	LR6-2M2LJBW		○	○	
			LME-310FBL / LME-312FBL	LR6-3M2LJBW		○	○	
			LME-410FBL / LME-412FBL	LR6-4M2LJBW		○	○	
			LME-510FBL / LME-512FBL	LR6-5M2LJBW		○	○	
			LME-110L / LME-112L	LR6-1M2LJNW		○	○	
	LME-210L / LME-212L	LR6-2M2LJNW		○	○			
	LME-310L / LME-312L	LR6-3M2LJNW		○	○			
	LME-410L / LME-412L	LR6-4M2LJNW		○	○			
	LME-510L / LME-512L	LR6-5M2LJNW		○	○			
	220V AC / 230V AC	Direct Mount	○	LME-120FBW / LME-123FBW	LR6-1M2WJBW		○	×
				LME-220FBW / LME-223FBW	LR6-2M2WJBW		○	×
LME-320FBW / LME-323FBW				LR6-3M2WJBW		○	×	
LME-420FBW / LME-423FBW				LR6-4M2WJBW		○	×	
LME-520FBW / LME-523FBW				LR6-5M2WJBW		○	×	
LME-120W / LME-123W				LR6-1M2WJNW		○	×	
LME-220W / LME-223W		LR6-2M2WJNW		○	×			
LME-320W / LME-323W		LR6-3M2WJNW		○	×			
LME-420W / LME-423W		LR6-4M2WJNW		○	×			
LME-520W / LME-523W		LR6-5M2WJNW		○	×			
Pole Mount (Circular-mount Bracket)		○	LME-120FB / LME-123FB	LR6-1M2PJBW		○	×	
			LME-220FB / LME-223FB	LR6-2M2PJBW		○	×	
	LME-320FB / LME-323FB		LR6-3M2PJBW		○	×		
	LME-420FB / LME-423FB		LR6-4M2PJBW		○	×		
	LME-520FB / LME-523FB		LR6-5M2PJBW		○	×		
	LME-120 / LME-123		LR6-1M2PJNW		○	×		
LME-220 / LME-223	LR6-2M2PJNW		○	×				
LME-320 / LME-323	LR6-3M2PJNW		○	×				
LME-420 / LME-423	LR6-4M2PJNW		○	×				
LME-520 / LME-523	LR6-5M2PJNW		○	×				
Pole Mount (L-bracket)	×	LME-120FBL / LME-123FBL	LR6-1M2LJBW		○	○		
		LME-220FBL / LME-223FBL	LR6-2M2LJBW		○	○		
		LME-320FBL / LME-323FBL	LR6-3M2LJBW		○	○		
		LME-420FBL / LME-423FBL	LR6-4M2LJBW		○	○		
		LME-520FBL / LME-523FBL	LR6-5M2LJBW		○	○		
		LME-120L / LME-123L	LR6-1M2LJNW		○	○		
LME-220L / LME-223L	LR6-2M2LJNW		○	○				
LME-320L / LME-323L	LR6-3M2LJNW		○	○				
LME-420L / LME-423L	LR6-4M2LJNW		○	○				
LME-520L / LME-523L	LR6-5M2LJNW		○	○				

# LR Series Compatibility Chart (φ60 - φ70)

Current Models					Succeeding Models				
Series	Voltage	Installation Type	Buzzer	Model	Model	Comment	Installation Pitch	Fixed Wiring Hole	
LMS φ60	24V AC/DC	Pole Mount (Circular-mount Bracket)	×	LMS-102	LR6-102PJNW		○	×	
				LMS-202	LR6-202PJNW		○	×	
				LMS-302	LR6-302PJNW		○	×	
				LMS-402	LR6-402PJNW		○	×	
		Pole Mount (L-bracket)	×	LMS-502	LR6-502PJNW		○	×	
				LMS-102L	LR6-102LJNW		○	○	
				LMS-202L	LR6-202LJNW		○	○	
				LMS-302L	LR6-302LJNW		○	○	
		Pole Mount (Wall-mount Bracket)	×	LMS-402L	LR6-402LJNW		○	○	
				LMS-502L	LR6-502LJNW		○	○	
				LMS-102K	LR6-102PJNW		×	×	
				LMS-202K	LR6-202PJNW		×	×	
Pole Mount (Wall-mount Bracket)	×	LMS-302K	LR6-302PJNW		×	×			
		LMS-402K	LR6-402PJNW		×	×			
		LMS-502K	LR6-502PJNW		×	×			
		LMS-102K	LR6-102PJNW		×	×			
LHE-A φ70	24V AC/DC	○	LHE-102AFB	LR7-102WJBW		○	×		
			LHE-202AFB	LR7-202WJBW		○	×		
			LHE-302AFB	LR7-302WJBW		○	×		
			LHE-402AFB	LR7-402WJBW		○	×		
			LHE-502AFB	LR7-502WJBW		○	×		
			LHE-102A	LR7-102WJNW		○	×		
	100V AC / 120V AC	○	LHE-202A	LR7-202WJNW		○	×		
			LHE-302A	LR7-302WJNW		○	×		
			LHE-402A	LR7-402WJNW		○	×		
			LHE-502A	LR7-502WJNW		○	×		
			LHE-110AFB / LHE-112AFB	LR6-1M2WJBW		○	×		
			LHE-210AFB / LHE-212AFB	LR6-2M2WJBW		○	×		
220V AC	○	LHE-310AFB / LHE-312AFB	LR6-3M2WJBW		○	×			
		LHE-410AFB / LHE-412AFB	LR6-4M2WJBW		○	×			
		LHE-510AFB / LHE-512AFB	LR6-5M2WJBW		○	×			
		LHE-110A / LHE-112A	LR6-1M2WJNW		○	×			
		LHE-210A / LHE-212A	LR6-2M2WJNW		○	×			
		LHE-310A / LHE-312A	LR6-3M2WJNW		○	×			
LU7 φ70	24V DC	○	LU7-02FB	LR7-02WTNW		○	×		
			LU7-02	LR7-02WTNW		○	×		
			LU7-M2FB	LR6-M2WJNW		○	×		
			LU7-M2	LR6-M2WJNW		○	×		
			90 - 250V AC	○	LHE-120AFB	LR6-1M2WJBW		○	×
					LHE-220AFB	LR6-2M2WJBW		○	×
	LHE-320AFB	LR6-3M2WJBW				○	×		
	LHE-420AFB	LR6-4M2WJBW				○	×		
	LHE-520AFB	LR6-5M2WJBW				○	×		
	LHE-120A	LR6-1M2WJNW				○	×		
	LHE-220A	LR6-2M2WJNW		○	×				
	LHE-320A	LR6-3M2WJNW		○	×				
LHE-420A	LR6-4M2WJNW		○	×					
LHE-520A	LR6-5M2WJNW		○	×					

