

LKEH-FE-EX, LKEH-FV-EX

Explosion Proof

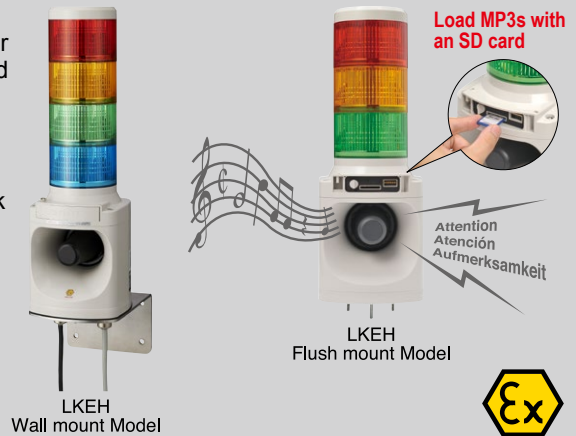
CE II 3GD Ex nA IIC T4 Gc, Ex tc IIIB T85°C Dc IP54 94/9/Ex(ATEX)CENELEC:EN 60079-0, EN 60079-15, EN 60079-31

Ø100mm Signal Tower and MP3 Annunciator / Alarm Horn Hybrid

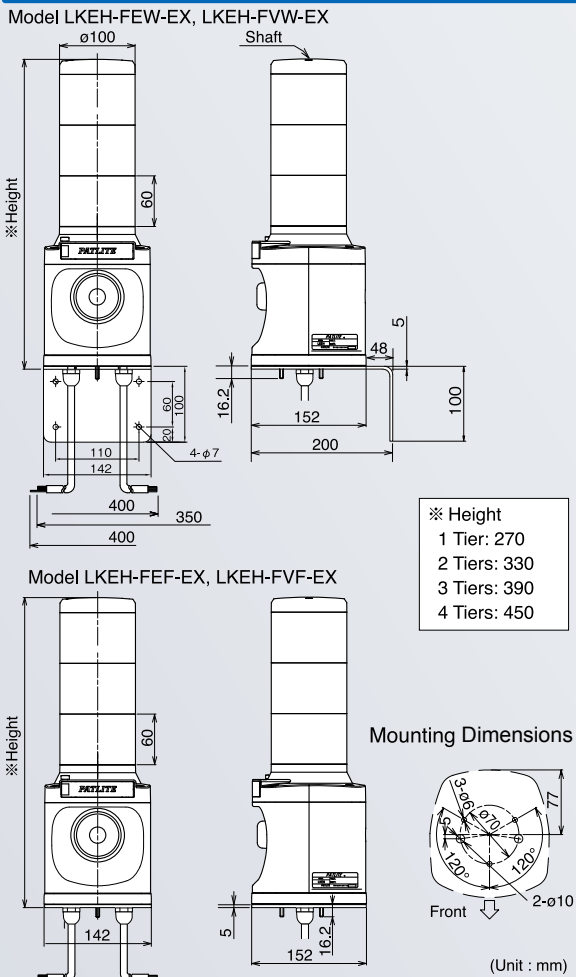


The LKEH-EX Hybrid Series features a combination of up to four ultra-bright LED segments, MP3 voice annunciation, and pre-loaded alarm sounds for highly-effective signaling and notification.

- Suitable for Zone 2 and Zone 22 applications
- CE compliance in accordance with ATEX
- Supports MP3 alerts up to 63 sec. (64kbit/s) with 5 selectable playback channels
- Comes pre-loaded with 32 tones and melodies
- Adjust playback volume from 0 to 105dB
- Field programmable with front loading SD card port
- Designed to withstand 2G vibrations
- NPN or PNP types available



Dimensions (mm)



Sound Selection Charts

- Pre-recorded on model LKEH-FE-EX.
- 8 sounds can be played back by a bit input, and 32 sounds by binary input.

Beep	Stutter + Bell	Inverted Revelle	Annie Laurie
Stutter	Synthesized Melody	Galactic Motor	London Bridge
Bell	Chime	Ringing Phone	Mary's Lamb
Yelp	Call Sign	Two Tone	Camptown Races
Rapid Hi Lo	Train Ride	Alarm Clock	Amaryllis
Melody Chime	Galloping Hi Lo	Ringing Hi Lo	Symphony #40
Synthesized Piano	Alien Chatter	Fur Elise	Ave Maria
Synthesized Bell	Falling Crystals	Minuet	Grandfather's Clock

Model	MP3	Power
LKEH-FEF-EX/LKEH-FEW-EX	—	14.2W
LKEH-FVF-EX/LKEH-FVW-EX	Supports	14.2W

SD card(SD-2GP) for the model LKEH-FVF-EX and LKEH-FVW-EX sold separately.

Model Code

LKEH-302FVF-RYG-EX

Model	Tiers	Type	Mounting	Color
	1~4	FV MP3 Annunciator FE 32 sounds	F Flush mount W Wall mount	R Red Y Amber G Green B Blue C Clear / White (Top to bottom)

Specifications

Model	Rated Voltage	Voltage Range	MP3, Melody	Operating Temperature Range	Recordable Duration	Sound Pressure (at 1m)	Messages	Mass
LKEH-FEF-EX	24V DC	24VDC±10%	Type-E	-10°C to +50°C, Humidity 85% or less	Prerecorded	105dB	8ch bit input, 32ch binary input	2.8Kg
LKEH-FEW-EX			Type-E		Prerecorded		8ch bit input, 32ch binary input	3.2Kg
LKEH-FVF-EX			MPEG1-Audio layer III, 64kbit/s		63 sec.		5ch bit input, 31ch binary input	2.8Kg
LKEH-FVW-EX			MPEG1-Audio layer III, 64kbit/s		63 sec.		5ch bit input, 31ch binary input	3.2Kg

The mass indicated is based on a 3 tiered LED Model LKEH. The mass will change in conjunction with the number of tiers. Add or remove 0.2 Kg per module.