

55" Industrial Grade Touch Screen LCD Monitor



Our Professional LCD Monitors will catch the attention of your customers. High resolution, high performance could meet all kinds of needs of commercial users. Our monitors have a wide range screen sizes from 10" to 98" with 24/7 applications, Eco-Friendly LED Backlit commercial displays consume 30% less power than CCFL-Backlit models, prolong the lifetime of LCD Screen itself. All monitors are with VGA/HDMI inputs, could connect with any type media player box, PC and video devices.

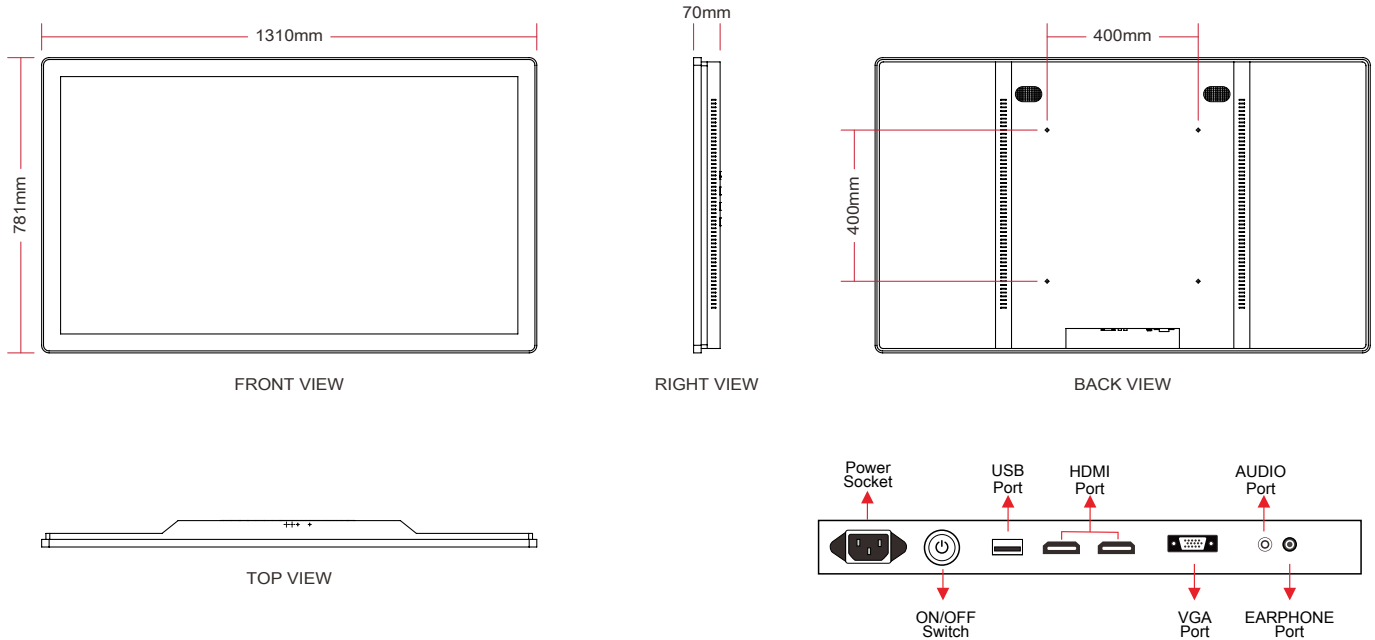
Key Features:

- 55 inch LCD Monitor
- 1920x1080 resolution
- 89/89/89/89 viewing angle
- VGA/HDMI inputs
- 7-24 hours operation
- Standard 400x400mm Vesa Holes
- 2 High Quality Speakers
- Capacitive Touch

Application Areas

- Hospitals
- Retail Stores
- Shopping Malls
- Supermarkets
- Museums and Galleries
- Airports
- Train/Bus Stations

55" Industrial Grade Touch Screen LCD Monitor



Specifications

DISPLAY	Panel Model	55inch TFT LED
	Max Resolution	1920x1080
	Aspect Ratio	16:09
	Pixel Pitch	0.63*0.63
	Viewing Angle	89/89/89/89
	Contrast Ratio	1400:1
	Brightness	500cd/m ²
	Response Time	6ms
	Display Area (mm)	1209.6 x 680.4mm
	Panel Size(mm)	1244.6 x 720.9mm
	Screen Weight	17.5Kg
Lamp Type	WLED	
INTERFACE	2*HDMI input	
	1*PC-RGB(VGA) input	
	1*PC-Audio input	
	1*Earphine output	
	1*AC input	
	PC-VGA	Up to 1920x1080@60Hz
HDMI	480i,480p,720i,720p,1080i,1080p	
Switch	Power on/off	
DESIGN	Color	Matte Black
	Wall Mount	VESA (400x400mm)

ON-SCREEN DISPLAY LANGUAGES	English, French, German, Italian, Polish, Russian, Simplified Chinese, Spanish, Turkish, Arabic, Japanese, Traditional Chinese etc.	
DISPLAY MODE	Portrait & Landscape	
TOUCH	Capacitive Touch	
POWER	Mains Power Consumption	AC 100-240V 115W
	Built-in Speakers	2 x 10W
DIMENSION & WEIGHT	Machine Size	1295x765x100mm
	Machine Weight	45Kg
OTHER	Regulatory Approvals	CE, FCC, ROHS, HDMI certificates
ACCESSORIES	Warranty	1 year warranty
	Remote Control	Optional
	Power Supply	x1 AC cable
User's Manual	x1	